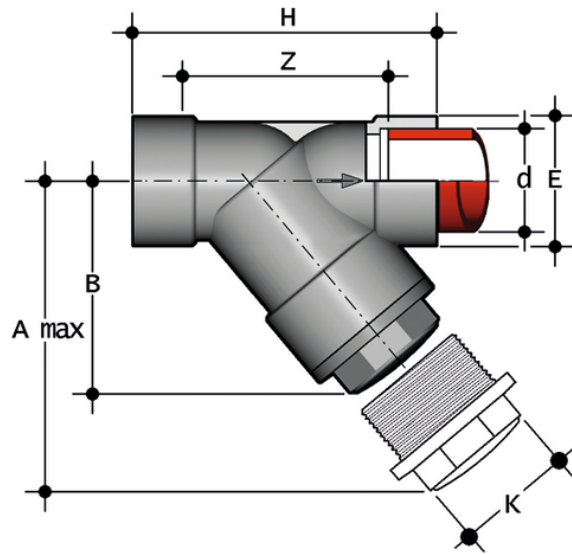


RVIM – Sediment strainer DN 15:100

Sediment strainer with female ends for socket welding, metric series.

The RV Sediment strainer limits the passage of any solid particles present in the fluid by means of a strainer.

- Connection system for weld, threaded and flanged joints
- **Strainer** assembled on an **easily removed support** that facilitates cleaning or replacement
- **Valve material compatibility** (PP-H) with water conveyance, drinking water and other food substances according to **current regulations**
- Can be maintained with the valve body installed



EPDM

Reference	d	DN	PN	A max	B	E	H	K	Z	Fig.	g
RVIM075E	75	65	6	300	176	103	241	96	179	B	1580
RVIM090E	90	80	4	325	193	115	260	105	189	B	1920
RVIM110E	110	100	4	385	229	138	323	-	240	C	3000

FKM

Reference	d	DN	PN	A max	B	E	H	K	Z	Fig.	g
RVIM075F	75	65	6	300	176	103	241	96	179	B	1580
RVIM090F	90	80	4	325	193	115	260	105	189	B	1920
RVIM110F	110	100	4	385	229	138	323	-	240	C	3000

All information subject to change.

Please contact us on <https://www.aliaxis.co.uk/get-in-touch> for further informations