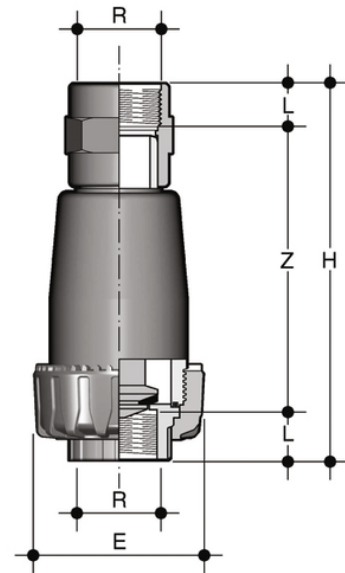


VZFV – Foot valve DN 10:50

Foot valve with BSP threaded female ends.

The VZ foot valve allows the passage of fluid in one direction only.

- Connection system for solvent weld and threaded joints
- **No metal parts in contact with the fluid**
- **Piston with incorporated counterweight** able to work with high intensity fluid
- Limited pressure loss. Only minimum back pressure is required for the hermetic seal
- **Valve material compatibility** (PVC-U) with water, drinking water and other food substance conveyance according to **current regulations**
- Can be maintained with the valve body installed



Reference	R	DN	PN	E	H	L	Z	g
VZFV012E	1/2"	15	16	55	124	15	94	135
VZFV034E	3/4"	20	16	66	149	16,3	116,4	230
VZFV100E	1"	25	16	75	175	19,1	136,8	390
VZFV112E	1" 1/2	40	16	100	209	21,4	166,2	860
VZFV114E	1" 1/4	32	16	87	200	21,4	157,2	620
VZFV200E	2"	50	16	122	248	25,7	196,6	1520

All information subject to change.

Please contact us on <https://www.aliasis.co.uk/get-in-touch> for further informations