

# DKUIV - DIALOCK® 2-way diaphragm valve DN 15:65

DIALOCK® diaphragm valve with female union ends for solvent welding, metric series.

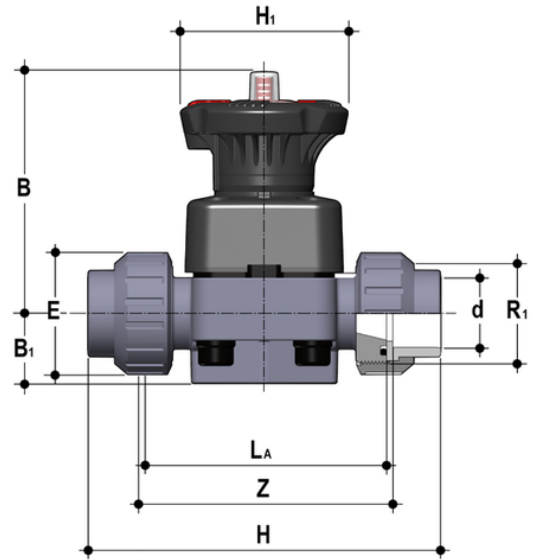
The DK DIALOCK® diaphragm valve is particularly suitable for shutting off and regulating abrasive or dirty fluids. The new internal geometry of the body increases flow coefficient, reduce pressure drop and allows a sensitive and precise adjustment along the entire stroke of the shutter. The DK is extremely compact and very light. The innovative handwheel is equipped with a patented immediate and ergonomic operating locking device that allows it to be adjusted and locked in any position.

- **High visibility graduated optical position indicator** protected by a transparent cap with seal O-Ring
- **Customisation plate:** the customisation lets you identify the valve on the system according to specific needs
- **DIALOCK® SYSTEM:** innovative handwheel with a patented immediate and ergonomic operating locking device that allows it **to be adjusted and locked in over 300 positions**
- **Handwheel and bonnet** in high mechanical strength and chemically resistant **PP-GR**, providing full protection by isolating all internal metal parts from contact with external agents
- **Floating pin connection** between the control screw and diaphragm to prevent concentrated loads, improve the seal and extend its lifetime
- **New design of valve body interior: substantially increased flow coefficient** and reduced pressure drop. The degree of efficiency reached has also **enabled the size and weight of the valve to be reduced**
- **Adjustment linearity:** the internal profiles of the valve also greatly improve its characteristic curve, resulting in **extremely sensitive and precise adjustment** along the entire stroke of the shutter
- **Valve anchoring** bracket **integrated in the body**, with threaded metal inserts allowing **simple panel or wall mounting** using the PMDK mounting plate (supplied as an accessory)
- Connection system for solvent weld, threaded and flanged joints
- **Optimised fluid dynamic design:** maximum output flow rate thanks to the optimised efficiency of the fluid dynamics that characterise the new internal geometry of the body
- **Internal components in metal, totally isolated from the fluid** and external environment
- **Modularity of the range:** only 2 handwheel and 4 diaphragm and bonnet sizes for 7 different valve sizes
- Non-rising handwheel that stays at the same height during rotation, equipped with a graduated optical indicator protected by a transparent PVC cap with seal O-Ring
- Bonnet fastening screws in stainless steel protected against the external environment by PE plugs. Absence of metal parts exposed to the external environment to prevent any risk of corrosion.
- **CDSA** (Circular Diaphragm Sealing Angle) system that, thanks to the uniform distribution of shutter pressure on the diaphragm seal, offers the following advantages:
  - reduction in the tightening torque of the screws fixing the actuator to the valve body
  - reduced mechanical stress on all valve components (actuator, body and diaphragm)
  - easy to clean valve interior
  - low risk of the accumulation of deposits, contamination or damage to the diaphragm due to crystallisation
  - operating torque reduction

All information subject to change.

Please contact us on <https://www.aliaxis.co.uk/get-in-touch> for further informations

# DKUIV - DIALOCK® 2-way diaphragm valve DN 15:65



## EPDM

Reference	d	DN	PN	B	B <sub>1</sub>	E	H	H <sub>1</sub>	La	R <sub>1</sub>	Z	g
DKUIV020E	20	15	10	102	25	41	129	80	90	1"	100	500
DKUIV025E	25	20	10	105	30	50	154	80	108	1 1/4"	116	562
DKUIV032E	32	25	10	114	33	58	168	80	116	1 1/2"	124	790
DKUIV040E	40	32	10	119	30	72	192	80	134	2"	140	916
DKUIV050E	50	40	10	149	35	79	222	120	154	2 1/4"	160	1768
DKUIV063E	63	50	10	172	46	98	266	120	184	2 3/4"	190	2668

## EPDM

Reference	d	DN	PN	B	B <sub>1</sub>	E	H	H <sub>1</sub>	La	R <sub>1</sub>	Z	g
DKUIV020E0SF	20	15	10	102	25	41	129	80	90	1"	100	500
DKUIV025E0SF	25	20	10	105	30	50	154	80	108	1 1/4"	116	562
DKUIV032E0SF	32	25	10	114	33	58	168	80	116	1 1/2"	124	790
DKUIV040E0SF	40	32	10	119	30	72	192	80	134	2"	140	916
DKUIV050E0SF	50	40	10	149	35	79	222	120	154	2 1/4"	160	1768
DKUIV063E0SF	63	50	10	172	46	98	266	120	184	2 3/4"	190	2668

## FKM

All information subject to change.

Please contact us on <https://www.aliaxis.co.uk/get-in-touch> for further informations

# DKUIV - DIALOCK® 2-way diaphragm valve DN 15:65

Reference	d	DN	PN	B	B <sub>1</sub>	E	H	H <sub>1</sub>	La	R <sub>1</sub>	Z	g
DKUIV020F	20	15	10	102	25	41	129	80	90	1"	100	500
DKUIV025F	25	20	10	105	30	50	154	80	108	1"1/4	116	562
DKUIV032F	32	25	10	114	33	58	168	80	116	1"1/2	124	790
DKUIV040F	40	32	10	119	30	72	192	80	134	2"	140	916
DKUIV050F	50	40	10	149	35	79	222	120	154	2"1/4	160	1768
DKUIV063F	63	50	10	172	46	98	266	120	184	2"3/4	190	2668

## PTFE

Reference	d	DN	PN	B	B <sub>1</sub>	E	H	H <sub>1</sub>	La	R <sub>1</sub>	Z	g
DKUIV020P	20	15	10	102	25	41	129	80	90	1"	100	500
DKUIV025P	25	20	10	105	30	50	154	80	108	1"1/4	116	562
DKUIV032P	32	25	10	114	33	58	168	80	116	1"1/2	124	790
DKUIV040P	40	32	10	119	30	72	192	80	134	2"	140	916
DKUIV050P	50	40	10	149	35	79	222	120	154	2"1/4	160	1768
DKUIV063P	63	50	10	172	46	98	266	120	184	2"3/4	190	2668

## PTFE

Reference	d	DN	PN	B	B <sub>1</sub>	E	H	H <sub>1</sub>	La	R <sub>1</sub>	Z	g
DKUIV020POSF	20	15	10	102	25	41	129	80	90	1"	100	500
DKUIV025POSF	25	20	10	105	30	50	154	80	108	1"1/4	116	562
DKUIV032POSF	32	25	10	114	33	58	168	80	116	1"1/2	124	790
DKUIV040POSF	40	32	10	119	30	72	192	80	134	2"	140	916
DKUIV050POSF	50	40	10	149	35	79	222	120	154	2"1/4	160	1768
DKUIV063POSF	63	50	10	172	46	98	266	120	184	2"3/4	190	2668

All information subject to change.

Please contact us on <https://www.aliasis.co.uk/get-in-touch> for further informations