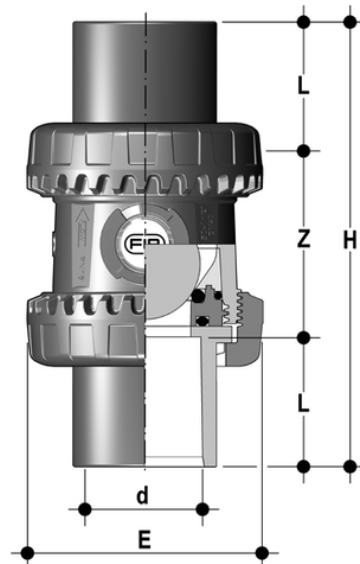


SXEJV – Easyfit True Union ball and spring check valve DN 10:50

Easyfit ball check valve with female ends for solvent welding, JIS series.

The Easyfit check valve line developed with Giugiaro Design offers two different versions: SXE with ball shutter and SSE with spring loaded shutter. Easyfit check valves stand out for the innovative installation method that guarantees reliable service over time. This valve is also equipped with the customisable Labelling System.

- **Customisable Labelling System: built-in LCE module** on the valve body made up of transparent protection plug and customisable tag holder using the LSE set (available as accessory). The customisation potential lets you identify the valve on the system according to specific needs.
- **Optimised dynamic fluid design:** energy savings thanks to the improved valve Kv value with consequent pressure drop reduction
- High surface finish ball shutter: **wear reduction**, increase in working life and reduced valve maintenance. Ideal for conveying dirty fluids, even with suspended solids and filaments thanks to the special design that permits **internal valve selfcleaning**
- **Locked ball seat carrier:** safe dismounting for maintenance with the Easyfit multifunctional handle or Easytorque kit
- Ideal for horizontal installations: **perfect seal even with low back pressure. Silent** and durable even with strong vibrations and pulsating fluid
- PVC-U shutter and springs available made of STAINLESS steel 316, Hastelloy C276, A316 PTFE encapsulated: maximum reliability in a **wide field of applications** from salt water to aggressive acids
- Connection system for solvent weld and threaded joints
- **Valve material compatibility (PVC-U)** with water conveyance, drinking water and other food substances according to current regulations
- **PN16 True Union** valve body made for PVC-U injection moulding and European Directive 2014/68/EU (PED) compliant for pressurised equipment. ISO 9393 compliant test requirements
- **Short face to face dimension** according to international regulation ISO 7508 series III and European regulation EN 1452 "short" and fully interchangeable with VXE and VEE DN 10÷50 ball valve models
- Union nuts with rack for tightening adjustment via Easyfit handle or via Easytorque adjustment kit (available as accessories)
- **Vertical** (preferable for SXE model) and **horizontal installation** potential



EPDM

All information subject to change.

Please contact us on <https://www.aliaxis.co.uk/get-in-touch> for further informations



SXEJV – Easyfit True Union ball and spring check valve DN 10:50

Reference	d	DN	PN	E	H	L	Z	g
SXEJV012E	1/2"	15	16	54	110	30	50	160
SXEJV034E	3/4"	20	16	63	123	35	53	235
SXEJV100E	1"	25	16	72	139	40	59	325
SXEJV114E	1"1/4	32	16	85	156	44	68	490
SXEJV112E	1"1/2	40	16	100	187	55	77	680
SXEJV200E	2"	50	16	118	228	63	102	1150

FKM

Reference	d	DN	PN	E	H	L	Z	g
SXEJV012F	1/2"	15	16	54	110	30	50	160
SXEJV034F	3/4"	20	16	63	123	35	53	235
SXEJV100F	1"	25	16	72	139	40	59	325
SXEJV114F	1"1/4	32	16	85	156	44	68	490
SXEJV112F	1"1/2	40	16	100	187	55	77	680
SXEJV200F	2"	50	16	118	228	63	102	1150

All information subject to change.

Please contact us on <https://www.aliasis.co.uk/get-in-touch> for further informations

