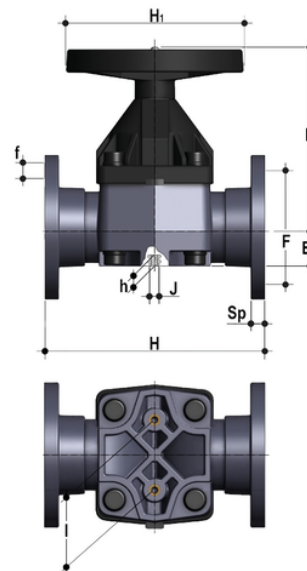


# VMOAF - Diaphragm valve DN 80:100

Diaphragm valve with flanged monolithic body, drilled ANSI B16.5 cl.150 #FF.



## EPDM

Reference	d	DN	PN	B	B <sub>1</sub>	F	f	H	H <sub>1</sub>	l	J	Sp	U	g
VMOAF300E	3"	80	*10	225	64	152,4	19,1	263	200	100	M12	22	4	10020
VMOAF400E	4"	100	*10	295	72	190,5	19,1	328	250	120	M12	23	8	14290

## FKM

Reference	d	DN	PN	B	B <sub>1</sub>	F	f	H	H <sub>1</sub>	l	J	Sp	U	g
VMOAF300F	3"	80	*10	225	64	152,4	19,1	263	200	100	M12	22	4	10020
VMOAF400F	4"	100	*10	295	72	190,5	19,1	328	250	120	M12	23	8	14290

## PTFE

Reference	d	DN	PN	B	B <sub>1</sub>	F	f	H	H <sub>1</sub>	l	J	Sp	U	g
VMOAF300P	3"	80	*10	225	64	152,4	19,1	263	200	100	M12	22	4	10020
VMOAF400P	4"	100	*10	295	72	190,5	19,1	328	250	120	M12	23	8	14290

All information subject to change.

Please contact us on <https://www.aliaxis.co.uk/get-in-touch> for further informations