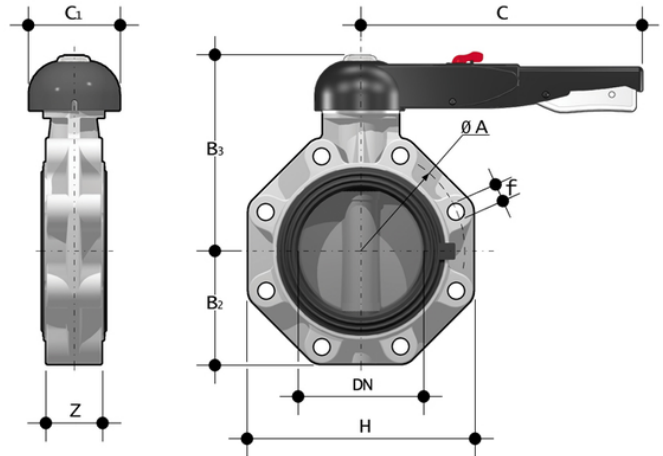


FKOM/LM LUG ISO-DIN - Butterfly valve DN 40÷400

Hand operated butterfly valve, version Lug ISO-DIN.



EPDM

Reference	d	DN	PN											
FKOLMLM050E	50	40	16											
FKOLMLM063E	63	50	16											
FKOLMLM075E	75	65	10	145	80	164	175	110	M16	165	4	46	1770	
FKOLMLM090E	90	80	10	160	93	178	272	100	M16	185	12	49	2570	
FKOLMLM110E	110	100	10	180	107	192	272	110	M16	211	8	56	2920	
FKOLMLM140E	125/140	125	10	210	120	212	330	110	M16	240	8	64	4600	
FKOLMLM160E	160*/180*	150	10	240	134	225	330	110	M20	268	8	70	5350	
FKOLMLM225E	200*/225*	200	10	295	161	272	420	122	M20	323	8	71	8250	

FKM

Reference	d	DN	PN											
FKOLMLM050F	50	40	16											
FKOLMLM063F	63	50	16											
FKOLMLM075F	75	65	10	145	80	164	175	110	M16	165	4	46	1770	
FKOLMLM090F	90	80	10	160	93	178	272	100	M16	185	12	49	2570	
FKOLMLM110F	110	100	10	180	107	192	272	110	M16	211	8	56	2920	
FKOLMLM140F	125/140	125	10	210	120	212	330	110	M16	240	8	64	4600	

All information subject to change.

Please contact us on <https://www.aliasis.co.uk/get-in-touch> for further informations



FKOM/LM LUG ISO-DIN - Butterfly valve DN 40÷400

Reference	d	DN	PN											
FKOLMLM160F	160*/180*	150	10	240	134	225	330	110	M20	268	8	70	5350	
FKOLMLM225F	200*/225*	200	10	295	161	272	420	122	M20	323	8	71	8250	

All information subject to change.

Please contact us on <https://www.aliasis.co.uk/get-in-touch> for further informations

