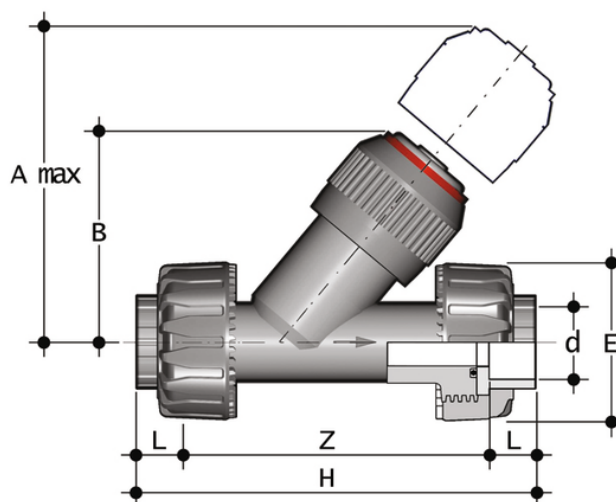


VRUIV - Check valve DN 10:100

Check valve with female union ends for solvent welding, metric series.

The VR is an angle seat check valve with weighted PVC piston that allows the passage of fluid in one direction only.

- Connection system for solvent weld, threaded and flanged joints
- **No metal parts in contact with the fluid**
- **Piston with counterweight** able to work with high intensity fluid
- Limited pressure drop. Only minimum back pressure is required for the hermetic seal
- **Valve material compatibility** (PVC-U) with water conveyance, drinking water and other food substances according to **current regulations**
- Can be maintained with the valve body installed



EPDM

Reference	d	DN	PN	A max	B	E	H	L	Z	Fig.	g
VRUIV016E	16	10	16	125	72	55	135	14	107	A	218
VRUIV020E	20	15	16	125	72	55	135	16	103	A	226
VRUIV025E	25	20	16	145	84	66	158	19	120	A	388
VRUIV032E	32	25	16	165	95	75	176	22	132	A	606
VRUIV040E	40	32	16	190	111	87	207	26	155	A	923
VRUIV050E	50	40	16	210	120	100	243	31	181	A	1335
VRUIV063E	63	50	16	240	139	120	298	38,2	221,6	A	2313

FKM

All information subject to change.

Please contact us on <https://www.aliaxis.co.uk/get-in-touch> for further informations

VRUIV - Check valve DN 10:100

Reference	d	DN	PN	A max	B	E	H	L	Z	Fig.	g
VRUIV016F	16	10	16	125	72	55	135	14	107	A	218
VRUIV020F	20	15	16	125	72	55	135	16	103	A	226
VRUIV025F	25	20	16	145	84	66	158	19	120	A	388
VRUIV032F	32	25	16	165	95	75	176	22	132	A	606
VRUIV040F	40	32	16	190	111	87	207	26	155	A	923
VRUIV050F	50	40	16	210	120	100	243	31	181	A	1335
VRUIV063F	63	50	16	240	139	120	298	38,2	221,6	A	2313