

FKOC/LM LUG ISO-DIN - Butterfly valve DN 40:300

Hand operated butterfly valve, version Lug ISO-DIN.

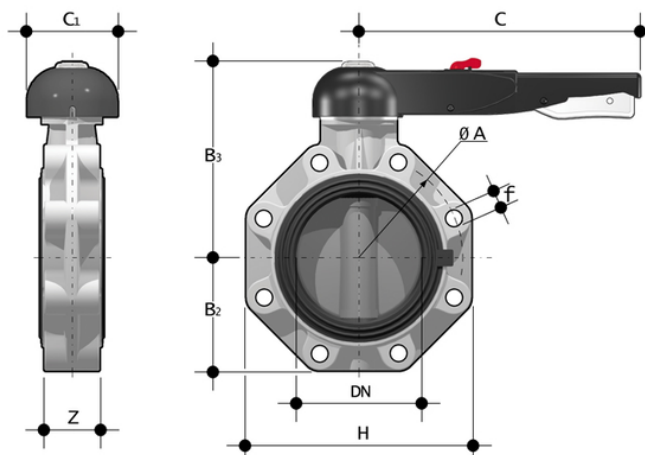
The FK is a butterfly valve for shutting off or regulating flow, with structural characteristics that make it ideal for industrial applications requiring high performance and longterm reliability. This valve is also equipped with the customisable Labelling System.

- Ergonomic handle in **HIPVC** equipped with **locking and unlocking device, release, quick operation and graduated adjustment** in 10 intermediate positions (DN 40÷200). The operating range, starting from the first few degrees of valve opening, also guarantees extremely low pressure drops.
- **Customisable Labelling System:** integrated module in the handle, made of a transparent protection plug and a customisable tag holder using the LSE set (available as an accessory). The **customisation** lets you **identify the valve on the system** according to specific needs.
- **STAINLESS steel square section stem** completely isolated from the fluid complying with standard ISO 5211:
 - DN 40÷65: 11 mm
 - DN 80÷100: 14 mm
 - DN 125÷150: 17 mm
 - DN 200: 22 mm
 - DN 250÷300: 27 mm
- **Body** in polypropylene based **compound reinforced with fibreglass (PP-GR)** **resistant to UV rays** and characterised by **high mechanical strength**.
- **Drilling pattern using oval slots** that allow coupling to flanges according to numerous international standards. The special **self-centring inserts in ABS** supplied for DN 40÷200 guarantee the **correct axial alignment** of the valve during installation. For DN 250÷400 valves, the drilling pattern for the selfcentring system is of the traditional type according to DIN and ANSI standards.
- **Interchangeable liner** with the dual function of forming a hydraulic seal and isolating the body from the fluid.
- Interchangeable Disk in PVC-C with through shaft, available in different thermoplastic materials: PVC-U, PP-H, ABS, PVDF
- Overall dimensions of the valve in accordance with standard ISO 5752 (DN 40÷200 Medium Series 25, DN 250÷ 300 Long Series 16) and DIN 3202 K2 and ISO 5752 (DN 65÷200 K2, DN 250÷300 K3)
- Can also be installed as an end line valve, bottom discharge valve or tank dump valve
- **Special Lug version PN 10** fully drilled to DIN 2501 or ANSI B16.5 cl.150 with **molded-in AISI 316 stainless steel threaded inserts**
- Possibility of installing a manual reducer or pneumatic and/or electric actuators by applying ISO standard drilling pattern PP-GR flanges. DN 40 ÷ 200 valve fitted with plate with rack in PP-GR. For actuated versions with flange drilled according to ISO 5211 F05, F07, F10
- DN 250÷300 valve, fitted with one-piece top flange in high mechanical strength PP-GR with mounting flange for internal components with drilling according to standard ISO 5211 F10, F12, F14
- Possibility to have handle with integrated LSQT limit micro switch, even as a retrofit in existing installations

All information subject to change.

Please contact us on <https://www.aliaxis.co.uk/get-in-touch> for further informations

FKOC/LM LUG ISO-DIN - Butterfly valve DN 40:300



EPDM

Reference	d	DN	PN	øA	B ₂	B ₃	C	C ₁	f	H	U	Z	g
FKOLCLM075E	75	65	10	145	80	164	175	110	M16	165	4	46	1554
FKOLCLM090E	90	80	10	160	93	178	272	100	M16	185	12	49	2342
FKOLCLM110E	110	100	10	180	107	192	272	110	M16	211	8	56	3257
FKOLCLM140E	140	125	10	210	120	212	330	110	M16	240	8	64	4345
FKOLCLM160E	160	150	10	240	134	225	330	110	M20	268	8	70	5820
FKOLCLM225E	225	200	10	295	161	272	420	122	M20	323	8	71	8896

FKM

Reference	d	DN	PN	øA	B ₂	B ₃	C	C ₁	f	H	U	Z	g
FKOLCLM075F	75	65	10	145	80	164	175	110	M16	165	4	46	1554
FKOLCLM090F	90	80	10	160	93	178	272	100	M16	185	12	49	2342
FKOLCLM110F	110	100	10	180	107	192	272	110	M16	211	8	56	3257
FKOLCLM140F	140	125	10	210	120	212	330	110	M16	240	8	64	4345
FKOLCLM160F	160	150	10	240	134	225	330	110	M20	268	8	70	5820
FKOLCLM225F	225	200	10	295	161	272	420	122	M20	323	8	71	8896

FKM Silicone Free

All information subject to change.

Please contact us on <https://www.aliasis.co.uk/get-in-touch> for further informations



FKOC/LM LUG ISO-DIN - Butterfly valve DN 40:300

Reference	d	DN	PN	øA	B ₂	B ₃	C	C ₁	f	H	U	Z	g
FKOLCLM075F0SF	75	65	10	145	80	164	175	110	M16	165	4	46	1554
FKOLCLM090F0SF	90	80	10	160	93	178	272	100	M16	185	12	49	2342
FKOLCLM110F0SF	110	100	10	180	107	192	272	110	M16	211	8	56	3257
FKOLCLM140F0SF	140	125	10	210	120	212	330	110	M16	240	8	64	4345
FKOLCLM160F0SF	160	150	10	240	134	225	330	110	M20	268	8	70	5820

All information subject to change.

Please contact us on <https://www.aliasis.co.uk/get-in-touch> for further informations

