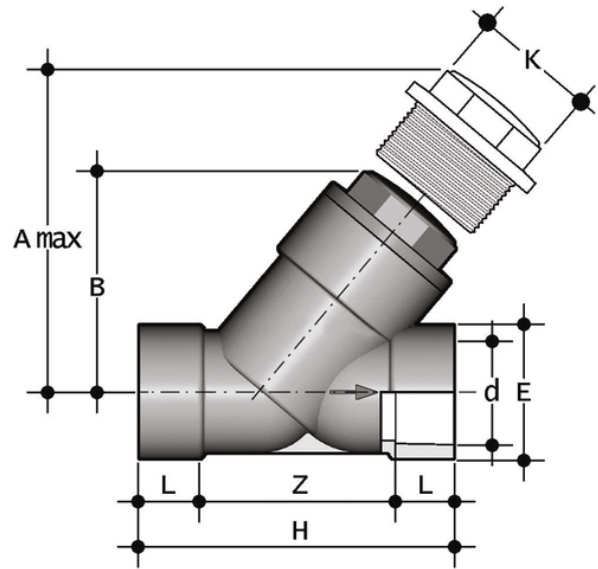


VRIV - Check valve DN 10:100

Check valve with female ends for solvent welding, metric series.



Reference	d	DN	PN	A max	B	E	H	K	L	Z	Fig.	g
VRIV075E	75	65	10	300	179	104	243	96	44	155	B	3485
VRIV090E	90	80	6	325	192	116	262	105	51	160	B	4530
VRIV110E	110	100	6	385	231	138	325	-	61	203	C	7170