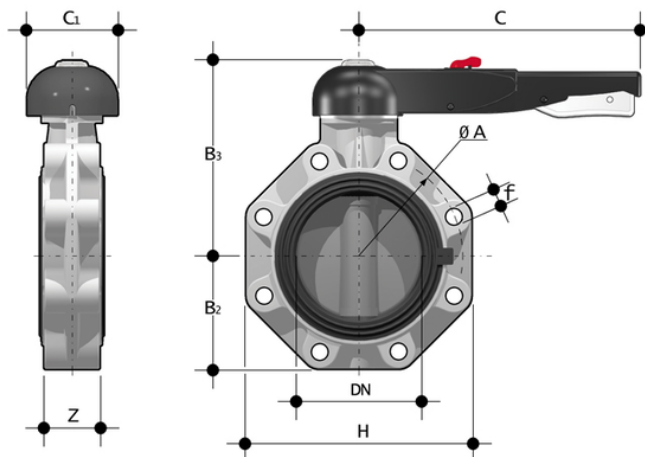


FKOC/LM LUG ANSI - Butterfly valve DN 40:300

Hand operated butterfly valve, version Lug ANSI.



EPDM

| Reference | d | DN | PN | øA | B ₁ | B ₂ | C | C ₁ | f | H | U | Z | g |
|--------------|--------|-----|----|-------|----------------|----------------|-----|----------------|------|-----|----|----|------|
| FKOALCLM212E | 2" 1/2 | 65 | 10 | 139,7 | 119 | 80 | 175 | 110 | 5/8" | 165 | 4 | 46 | 1554 |
| FKOALCLM300E | 3" | 80 | 10 | 152,4 | 133 | 93 | 272 | 110 | 5/8" | 185 | 12 | 49 | 2342 |
| FKOALCLM400E | 4" | 100 | 10 | 190,5 | 147 | 107 | 272 | 110 | 5/8" | 211 | 8 | 56 | 3257 |
| FKOALCLM500E | 5" | 125 | 10 | 215,9 | 167 | 120 | 330 | 110 | 3/4" | 240 | 8 | 64 | 4345 |
| FKOALCLM600E | 6" | 150 | 10 | 241,3 | 180 | 134 | 330 | 110 | 3/4" | 268 | 8 | 70 | 5820 |
| FKOALCLM800E | 8" | 200 | 10 | 298,4 | 227 | 161 | 420 | 122 | 3/4" | 323 | 8 | 71 | 8896 |

FKM

| Reference | d | DN | PN | øA | B ₁ | B ₂ | C | C ₁ | f | H | U | Z | g |
|--------------|--------|-----|----|-------|----------------|----------------|-----|----------------|------|-----|----|----|------|
| FKOALCLM212F | 2" 1/2 | 65 | 10 | 139,7 | 119 | 80 | 175 | 110 | 5/8" | 165 | 4 | 46 | 1554 |
| FKOALCLM300F | 3" | 80 | 10 | 152,4 | 133 | 93 | 272 | 110 | 5/8" | 185 | 12 | 49 | 2342 |
| FKOALCLM400F | 4" | 100 | 10 | 190,5 | 147 | 107 | 272 | 110 | 5/8" | 211 | 8 | 56 | 3257 |
| FKOALCLM500F | 5" | 125 | 10 | 215,9 | 167 | 120 | 330 | 110 | 3/4" | 240 | 8 | 64 | 4345 |
| FKOALCLM600F | 6" | 150 | 10 | 241,3 | 180 | 134 | 330 | 110 | 3/4" | 268 | 8 | 70 | 5820 |
| FKOALCLM800F | 8" | 200 | 10 | 298,4 | 227 | 161 | 420 | 122 | 3/4" | 323 | 8 | 71 | 8896 |

FKM Silicone Free

All information subject to change.

Please contact us on <https://www.aliasis.co.uk/get-in-touch> for further informations



FKOC/LM LUG ANSI - Butterfly valve DN 40:300

| Reference | d | DN | PN | øA | B ₁ | B ₂ | C | C ₁ | f | H | U | Z | g |
|-----------------|--------|-----|----|-------|----------------|----------------|-----|----------------|------|-----|----|----|------|
| FKOALCLM212FOSF | 2" 1/2 | 65 | 10 | 139,7 | 119 | 80 | 175 | 110 | 5/8" | 165 | 4 | 46 | 1554 |
| FKOALCLM300FOSF | 3" | 80 | 10 | 152,4 | 133 | 93 | 175 | 110 | 5/8" | 185 | 12 | 49 | 2342 |
| FKOALCLM400FOSF | 4" | 100 | 10 | 190,5 | 147 | 107 | 272 | 110 | 5/8" | 211 | 8 | 56 | 3257 |
| FKOALCLM500FOSF | 5" | 125 | 10 | 215,9 | 167 | 120 | 330 | 110 | 3/4" | 240 | 8 | 64 | 4345 |
| FKOALCLM600FOSF | 6" | 150 | 10 | 241,3 | 180 | 134 | 330 | 110 | 3/4" | 268 | 8 | 70 | 5820 |

All information subject to change.

Please contact us on <https://www.aliaxis.co.uk/get-in-touch> for further informations

