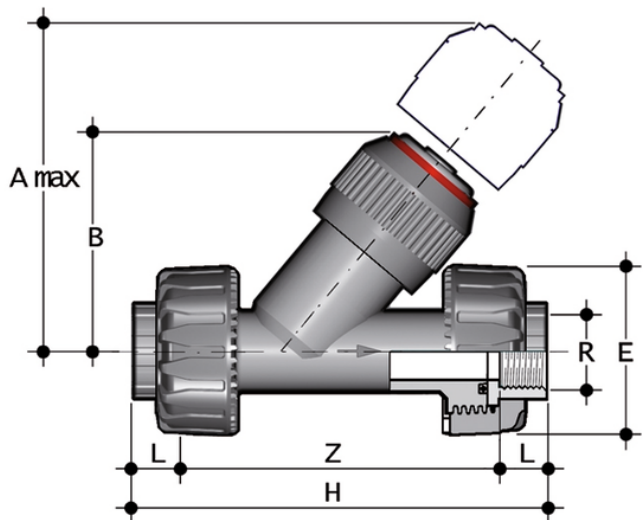


VRUFV - Check valve DN 10:100

Check valve with BSP threaded female union ends.

The VR is an angle seat check valve with weighted PVC piston that allows the passage of fluid in one direction only.

- Connection system for solvent weld, threaded and flanged joints
- **No metal parts in contact with the fluid**
- **Piston with counterweight** able to work with high intensity fluid
- Limited pressure drop. Only minimum back pressure is required for the hermetic seal
- **Valve material compatibility** (PVC-U) with water conveyance, drinking water and other food substances according to **current regulations**
- Can be maintained with the valve body installed



Reference	R	DN	PN	A max	B	E	H	L	Z	Fig.	g
VRUFV038E	3/8"	10	16	125	72	55	135	11,4	112,2	A	221
VRUFV012E	1/2"	15	16	125	72	55	143	15	113	A	230
VRUFV034E	3/4"	20	16	145	84	66	160	16,3	127,4	A	390
VRUFV100E	1"	25	16	165	95	75	183	19,1	144,8	A	602
VRUFV114E	1" 1/4	32	16	190	111	87	214	21,4	171,2	A	932
VRUFV112E	1" 1/2	40	16	210	120	100	235	21,4	192,2	A	1341
VRUFV200E	2"	50	16	240	139	120	285	25,7	233,6	A	2348

All information subject to change.

Please contact us on <https://www.aliasis.co.uk/get-in-touch> for further informations