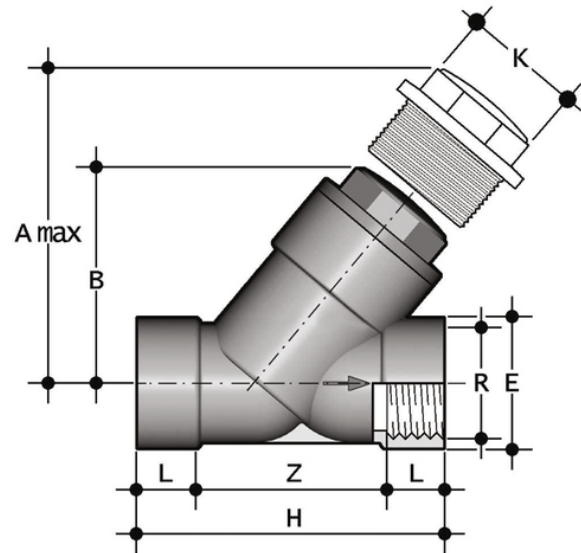


VRFV – Check valve DN 10:100

Check valve with BSP threaded female ends.

The VR is an angle seat check valve with weighted PVC piston that allows the passage of fluid in one direction only.

- Connection system for solvent weld, threaded and flanged joints
- **No metal parts in contact with the fluid**
- **Piston with counterweight** able to work with high intensity fluid
- Limited pressure drop. Only minimum back pressure is required for the hermetic seal
- **Valve material compatibility** (PVC-U) with water conveyance, drinking water and other food substances according to **current regulations**
- Can be maintained with the valve body installed



Reference	R	DN	PN	A max	B	E	H	K	L	Z	Fig.	g
VRFV212E	2" 1/2	65	10	300	179	104	243	96	30,2	182,6	B	3485
VRFV300E	3"	80	6	325	192	116	262	105	33,3	195,4	B	4520
VRFV400E	4"	100	6	385	231	138	325	-	39,3	246,4	C	6965

All information subject to change.

Please contact us on <https://www.aliasis.co.uk/get-in-touch> for further informations