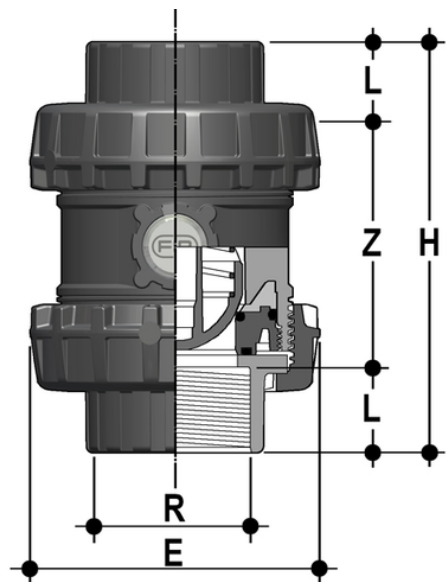


SSEGV/A316 – Easyfit True Union ball and spring check valve DN 65:100

Easyfit spring check valve with female ends, JIS thread. A316 spring.

The Easyfit check valve line developed with Giugiaro Design offers two different versions: SXE with ball shutter and SSE with spring loaded shutter. Easyfit check valves stand out for the innovative installation method that guarantees reliable service over time. This valve is also equipped with a customisable Labelling System.

- **Customisable Labelling System: built-in LCE module** on the valve body made up of transparent protection plug and customisable tag holder using the LSE set (available as accessory). The customisation potential lets you **identify the valve on the system** according to specific needs
- **Optimised dynamic fluid design:** energy savings due to the improved valve Kv value and consequent reduced pressure drop
- High surface finish ball shutter: **reduced wear**, longer working life and reduced valve maintenance. Ideal to convey dirty fluids, even with suspended fluids or filaments, thanks to the special design that permits **internal valve selfcleaning**
- Locked ball seat carrier: safe dismounting for maintenance with the Easyfit multifunctional handle
- Ideal for horizontal installations: **perfect seal even with low back pressure. Silent** and durable even with strong vibrations and pulsating fluid
- PVC-U shutter and springs available in STAINLESS Steel 316, A316 PTFE encapsulated: maximum reliability in a **wide field of applications** from salt water to aggressive acids
- Connection system for solvent weld and threaded joints
- **Valve material compatibility** (PVC-U) with water, drinking water and other food substance conveyance according to **current regulations**
- **PN16 True Union valve body** made for PVC-U injection moulding and European Directive 2014/68/EU (PED) compliant for pressurised equipment. ISO 9393 compliant test requirements
- Easy radial dismounting and fully interchangeable with VEE and VXE 65-100 valve models
- Union nut profile that perfectly adapts to the Easyfit multifunctional handle hooked insert (available as an accessory) that lets you control union nut rotation
- **Vertical** (preferable for SXE model) and **horizontal installation** potential



EPDM

All information subject to change.

Please contact us on <https://www.aliaxis.co.uk/get-in-touch> for further informations

SSEGV/A316 – Easyfit True Union ball and spring check valve DN 65:100

Reference	R	DN	PN	E	H	L	Z	g
SSEGV212E	2" 1/2	65	16	157	211	35	141	2480
SSEGV300E	3"	80	16	174	248	40	168	3090
SSEGV400E	4"	100	16	212	283	45	193	5370

FKM

Reference	R	DN	PN	E	H	L	Z	g
SSEGV212F	2" 1/2	65	16	157	211	35	141	2480
SSEGV300F	3"	80	16	174	248	40	168	3090
SSEGV400F	4"	100	16	212	283	45	193	5370

All information subject to change.

Please contact us on <https://www.aliasis.co.uk/get-in-touch> for further informations