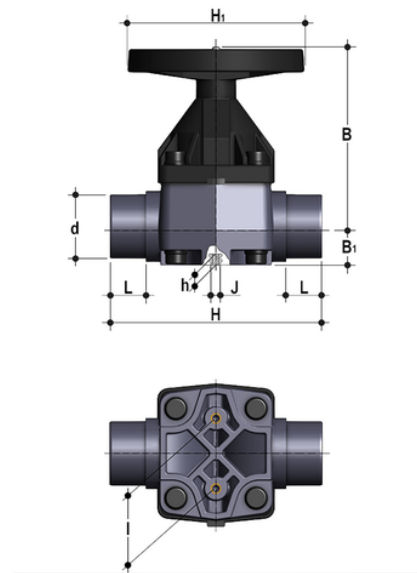


VMDC – Diaphragm valve DN 80:100

Diaphragm valve with male ends for solvent welding, metric series.

The VM is particularly suitable for shutting off and regulating abrasive or dirty fluids. The handwheel control and diaphragm seal provide precise and effective control, while reducing the risk of water hammer to a minimum.

- **Handwheel** in (PA-GR) with high mechanical strength and ergonomic **grip for optimum manageability**
- **Metal optical position indicator** supplied as standard
- **Full protection bonnet in PP-GR** Internal circular and symmetrical diaphragm sealing area
- Diaphragm available in EPDM, FPM, PTFE (NBR on request) and easy to replace
- **Threaded metal inserts** for anchoring the valve
- **New valve body internal design:** substantially higher flow coefficient resulting in lower pressure drops. Optimised adjustment curve for effective and precise flow rate regulation
- Connection system for solvent welding and for flanged joints
- **Optimised fluid dynamic design:** maximum output flow rate thanks to the optimised efficiency of the fluid dynamics that characterise the new internal geometry of the body
- Handwheel that stays at the same height during rotation, with internal bearing to minimise friction and operating torque
- Standard optical indicator
- **Internal operating components in metal** totally isolated from the conveyed fluid
- Bonnet fastening screws in STAINLESS steel protected against the external environment by PE plugs
- **New flanged bodies:** the new bodies, characterised by a monolithic flanged structure, are available in PVC-U, PVC-C, PP-H and PVDF. This design, free from body and flange joints, greatly reduces mechanical stress and increases system performance.



EPDM

Reference	d	DN	PN	B	B ₁	H	H ₁	h	l	J	L	g
VMDC090E	90	80	*10	225	55	300	200	23	100	M12	51	7290
VMDC110E	110	100	*10	295	69	340	250	23	120	M12	61	10900

All information subject to change.

Please contact us on <https://www.aliaxis.co.uk/get-in-touch> for further informations

VMDC - Diaphragm valve DN 80:100

FKM

Reference	d	DN	PN	B	B ₁	H	H ₁	h	l	J	L	g
VMDC090F	90	80	*10	225	55	300	200	23	100	M12	51	7290
VMDC110F	110	100	*10	295	69	340	250	23	120	M12	61	10900

PTFE

Reference	d	DN	PN	B	B ₁	H	H ₁	h	l	J	L	g
VMDC090P	90	80	*10	225	55	300	200	23	100	M12	51	7290
VMDC110P	110	100	*10	295	69	340	250	23	120	M12	61	10900