

# FKOC/RM – Butterfly valve DN 40:300

Gearbox operated butterfly valve.

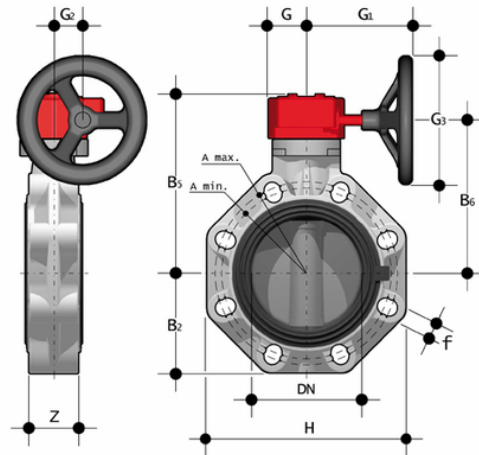
The FK is a butterfly valve for shutting off or regulating flow, with structural characteristics that make it ideal for industrial applications requiring high performance and longterm reliability. This valve is also equipped with the customisable Labelling System.

- Ergonomic handle in **HIPVC** equipped with **locking and unlocking device, release, quick operation and graduated adjustment** in 10 intermediate positions (DN 40÷200). The operating range, starting from the first few degrees of valve opening, also guarantees extremely low pressure drops.
- **Customisable Labelling System:** integrated module in the handle, made of a transparent protection plug and a customisable tag holder using the LSE set (available as an accessory). The **customisation** lets you **identify the valve on the system** according to specific needs.
- **STAINLESS steel square section stem** completely isolated from the fluid complying with standard ISO 5211:
  - DN 40÷65: 11 mm
  - DN 80÷100: 14 mm
  - DN 125÷150: 17 mm
  - DN 200: 22 mm
  - DN 250÷300: 27 mm
- **Body** in polypropylene based **compound reinforced with fibreglass (PP-GR)** **resistant to UV rays** and characterised by **high mechanical strength**.
- **Drilling pattern using oval slots** that allow coupling to flanges according to numerous international standards. The special **self-centring inserts in ABS** supplied for DN 40÷200 guarantee the **correct axial alignment** of the valve during installation. For DN 250÷400 valves, the drilling pattern for the selfcentring system is of the traditional type according to DIN and ANSI standards.
- **Interchangeable liner** with the dual function of forming a hydraulic seal and isolating the body from the fluid.
- Interchangeable Disk in PVC-C with through shaft, available in different thermoplastic materials: PVC-U, PP-H, ABS, PVDF
- Overall dimensions of the valve in accordance with standard ISO 5752 (DN 40÷200 Medium Series 25, DN 250÷ 300 Long Series 16) and DIN 3202 K2 and ISO 5752 (DN 65÷200 K2, DN 250÷300 K3)
- Can also be installed as an end line valve, bottom discharge valve or tank dump valve
- **Special Lug version** PN 10 fully drilled to DIN 2501 or ANSI B16.5 cl.150 with **molded-in AISI 316 stainless steel threaded inserts**
- Possibility of installing a manual reducer or pneumatic and/or electric actuators by applying ISO standard drilling pattern PP-GR flanges. DN 40 ÷ 200 valve fitted with plate with rack in PP-GR. For actuated versions with flange drilled according to ISO 5211 F05, F07, F10
- DN 250÷300 valve, fitted with one-piece top flange in high mechanical strength PP-GR with mounting flange for internal components with drilling according to standard ISO 5211 F10, F12, F14
- Possibility to have handle with integrated LSQT limit micro switch, even as a retrofit in existing installations

All information subject to change.

Please contact us on <https://www.aliaxis.co.uk/get-in-touch> for further informations

# FKOC/RM - Butterfly valve DN 40:300



## EPDM

Reference	d - Size	DN	PN	A min	A max	øA	B <sub>2</sub>	B <sub>5</sub>	B <sub>6</sub>	G	G <sub>1</sub>	G <sub>2</sub>	G <sub>3</sub>	f	H	U	Z	g
FKOCRM075E	75 - 2 1/2"	65	10	128	144	-	80	174	146	48	135	39	125	19	165	4	46	2608
FKOACRM810E	10"	**250	10	-	362	350	210	317	281	88	236	-	250	25.4	405	12	114	18727
FKOCRM315E	315	*300	8	390	432	400	245	374	338	88	236	76	250	29	475	12	114	23004
FKOCRM280E	280	*250	10	335	362	350	210	317	281	88	236	76	250	22	405	8	114	18727
FKOCRM225E	225	200	10	280	298	-	161	287	256	65	204	60	200	23	323	8	71	8945
FKOCRM160E	160 - 6"	150	10	230	242	-	134	235	207	48	144	39	200	23	268	8	70	5299
FKOCRM140E	140 - 5"	125	10	204	215	-	120	222	194	48	144	39	200	23	240	8	64	4434
FKOCRM110E	110 - 4"	100	10	165	190	-	107	202	174	48	135	39	125	19	211	8	56	3481
FKOCRM090E	90 - 3"	80	10	145	160	-	93	188	160	48	135	39	125	19	185	12	49	3063
FKOACRM812E	12"	**300	8	-	431,8	450	245	374	338	88	236	-	250	25.4	475	12	114	23004

## FKM

Reference	d - Size	DN	PN	A min	A max	øA	B <sub>2</sub>	B <sub>5</sub>	B <sub>6</sub>	G	G <sub>1</sub>	G <sub>2</sub>	G <sub>3</sub>	f	H	U	Z	g
FKOCRM075F	75 - 2 1/2"	65	10	128	144	-	80	174	146	48	135	39	125	19	165	4	46	2608
FKOACRM810F	10"	**250	10	-	362	350	210	317	281	88	236	-	250	25.4	405	12	114	18727
FKOCRM315F	315	*300	8	390	432	400	245	374	338	88	236	76	250	29	475	12	114	23004
FKOCRM280F	280	*250	10	335	362	350	210	317	281	88	236	76	250	22	405	8	114	18727
FKOCRM225F	225	200	10	280	298	-	161	287	256	65	204	60	200	23	323	8	71	8945

All information subject to change.

Please contact us on <https://www.aliaxis.co.uk/get-in-touch> for further informations

# FKOC/RM - Butterfly valve DN 40:300

Reference	d - Size	DN	PN	A min	A max	øA	B <sub>2</sub>	B <sub>5</sub>	B <sub>6</sub>	G	G <sub>1</sub>	G <sub>2</sub>	G <sub>3</sub>	f	H	U	Z	g
FKOCRM160F	160 - 6"	150	10	230	242	-	134	235	207	48	144	39	200	23	268	8	70	5299
FKOCRM140F	140 - 5"	125	10	204	215	-	120	222	194	48	144	39	200	23	240	8	64	4434
FKOCRM110F	110 - 4"	100	10	165	190	-	107	202	174	48	135	39	125	19	211	8	56	3481
FKOCRM090F	90 - 3"	80	10	145	160	-	93	188	160	48	135	39	125	19	185	12	49	3063
FKOACRM812F	12"	**300	8	-	431,8	400	245	374	338	88	236	-	250	25,4	475	12	114	23004

## FKM Silicone Free

Reference	d - Size	DN	PN	A min	A max	øA	B <sub>2</sub>	B <sub>5</sub>	B <sub>6</sub>	G	G <sub>1</sub>	G <sub>2</sub>	G <sub>3</sub>	H	U	Z	g
FKOCRM075F0SF	75 - 2"1/2	65	10	128	144	-	80	174	146	48	135	39	125	165	4	46	2608
FKOCRM090F0SF	90 - 3"	80	10	145	160	-	93	188	160	48	135	39	125	185	12	49	3063
FKOCRM110F0SF	110 - 4"	100	10	165	190	-	107	202	174	48	135	39	125	211	8	56	3481
FKOCRM140F0SF	140 - 5"	125	10	204	215	-	120	222	194	48	144	39	200	240	8	64	4434
FKOCRM160F0SF	160 - 6"	150	10	230	242	-	134	235	207	48	144	39	200	268	8	70	5299

All information subject to change.

Please contact us on <https://www.aliaxis.co.uk/get-in-touch> for further informations