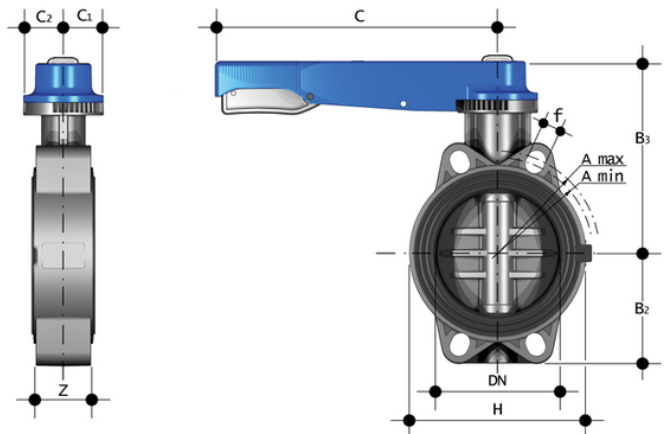


FEOV/LM – Butterfly valve DN 40:200

Hand operated butterfly valve.

The FE is a butterfly valve for shutting off or regulating flow, specifically designed for water applications and equipped with a customisable Labelling System.

- **Ergonomic multifunctional handle in HIPVC** with the option for **quick operation, graduated adjustment** in 12 positions (every 7.5°). 180° reversible mounting
- **Customisable Labelling System:** integrated module, made of a transparent protection plug customisable tag holder using the LSE set (available as accessory). **The customisation lets you identify the valve on the system** according to the specific needs
- **Drilling pattern with oval slots** that allow coupling to flanges according to numerous international standards
- **Interchangeable liner** with the dual function of forming a hydraulic seal and isolating the body from the fluid.
- One-piece top flange with PVC-U rack. Drilling according to standard ISO 5211 for direct drive:
 - DN 40 ÷ 65: F05
 - DN 80 ÷ 150: F07
 - DN 200: F10
- Disk in PVC-U with through shaft
- **Zinc plated square section steel stem completely isolated from the fluid** complying with standard ISO 5211:
 - DN 40 ÷ 65: 11 mm
 - DN 80 ÷ 100: 14 mm
 - DN 125 ÷ 150: 17 mm
 - DN 200: 22 mm
- Can also be installed as a bottom discharge valve or tank dump valve
- **Valve material compatibility** (PVC-U) with water conveyance, drinking water and other food substances according to **current regulations**
- Possibility of directly installing a gearbox or pneumatic and/or electric actuators with a standard drilling pattern according to standard ISO 5211 F05, F07, F10



EPDM

All information subject to change.

Please contact us on <https://www.aliaxis.co.uk/get-in-touch> for further informations

FEOV/LM - Butterfly valve DN 40:200

Reference	d	DN	PN	A min	A max	B ₂	B ₃	C	C ₁	C ₂	f	H	U	Z	g
FEOVLM050E	50 - 1"1/2	40	16	93,5	109	60	136	175	45	42	19	132	4	33	827
FEOVLM063E	63 - 2"	50	16	108	124	70	143	175	45	42	19	147	4	43	1012
FEOVLM075E	75 - 2"1/2	65	10	128	144	80	168	175	45	45	19	165	4	46	1420
FEOVLM090E	90 - 3"	80	10	145	159	90	182	250	45	45	19	130	4	49	1640
FEOVLM110E	110 - 4"	100	10	165	190	105	196	250	45	45	19	150	4	56	1990
FEOVLM140E	*140 - 5"	125	10	204	215	121	215	335	45	45	23	185	4	64	3030
FEOVLM160E	160 - 6"	150	10	230	242	132	229	335	45	45	23	210	4	70	3730
FEOVLM225E	**225 - 8"	200	10	280	298	161	309	425	65	82	23	325	8	71	8240

FKM

Reference	d	DN	PN	A min	A max	B ₂	B ₃	C	C ₁	C ₂	f	H	U	Z	g
FEOVLM050F	50 - 1"1/2	40	16	93,5	109	60	136	175	45	42	19	132	4	33	827
FEOVLM063F	63 - 2"	50	16	108	124	70	143	175	45	42	19	147	4	43	1012
FEOVLM075F	75 - 2"1/2	65	10	128	144	80	168	175	45	45	19	165	4	46	1420
FEOVLM090F	90 - 3"	80	10	145	159	90	182	250	45	45	19	130	4	49	1640
FEOVLM110F	110 - 4"	100	10	165	190	105	196	250	45	45	19	150	4	56	1990
FEOVLM140F	*140 - 5"	125	10	204	215	121	215	335	45	45	23	185	4	64	3030
FEOVLM160F	160 - 6"	150	10	230	242	132	229	335	45	45	23	210	4	70	3730
FEOVLM225F	**225 - 8"	200	10	280	298	161	309	425	65	82	23	325	8	71	8240