

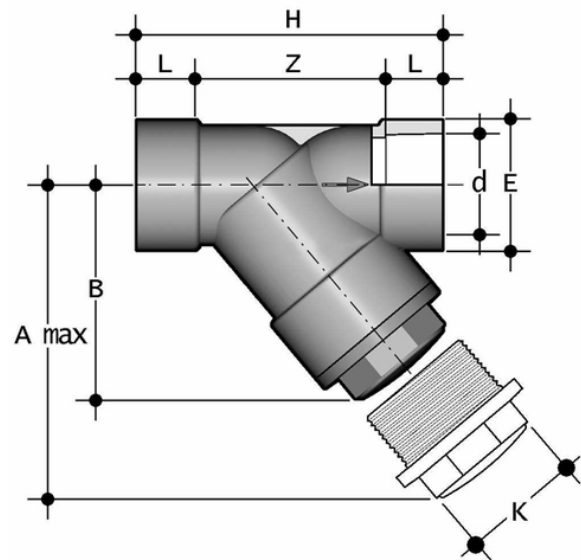
RVIV-RVIT - Sediment strainer DN 10:100

RVIV PVC-U rigid - RVIT PVC-U transparent.

Sediment strainer with female ends for solvent welding.

The RV Sediment strainer limits the passage of any solid particles present in the fluid by means of a strainer.

- Connection system for solvent weld, threaded and flanged joints
- **Strainer** mounted on an easily removed **support** that facilitates the cleaning or replacement
- **Valve material compatibility** (PVC-U) with water conveyance, drinking water and other food substances according to **current regulations**
- Can be maintained with the valve body installed



EPDM

Reference	d	DN	PN RVIV	PN RVIT	A max	B	E	H	K	L	Z	Fig.	g
RVIV075E	75	65	10	6	300	179	104	243	96	33	155	B	2385
RVIV090E	90	80	6	4	325	192	116	262	105	37	160	B	2975
RVIV110E	110	100	6	4	385	231	138	325	-	61	203	C	4610
RVIT075E	75	65	10	6	300	179	104	243	96	33	155	B	2385
RVIT090E	90	80	6	4	325	192	116	262	105	37	160	B	2975
RVIT110E	110	100	6	4	385	231	138	325	-	61	203	C	4610

All information subject to change.

Please contact us on <https://www.aliaxis.co.uk/get-in-touch> for further informations