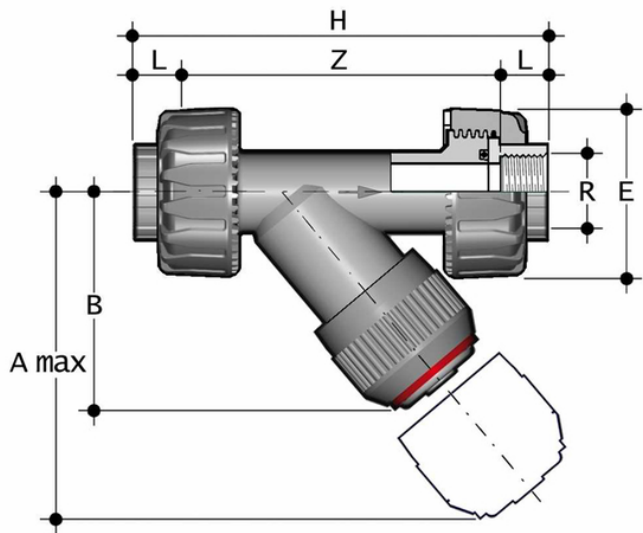


RVUFV-RVUFT - Sediment strainer DN 10:100

RVUFV PVC-U rigid - RVUFT PVC-U transparent.
Sediment strainer with BSP threaded female union ends.

The RV Sediment strainer limits the passage of any solid particles present in the fluid by means of a strainer.

- Connection system for solvent weld, threaded and flanged joints
- **Strainer** mounted on an easily removed **support** that facilitates the cleaning or replacement
- **Valve material compatibility** (PVC-U) with water conveyance, drinking water and other food substances according to **current regulations**
- Can be maintained with the valve body installed



EPDM

Reference	R	DN	PN RVUFV	PN RVUFT	A max	B	E	H	L	Z	Fig.	g
RVUFV038E	3/8"	10	16	16	125	72	55	135	11,4	112,2	A	206
RVUFT112E	1" 1/2	40	16	10	210	120	100	235	21,4	192,2	A	1106
RVUFT114E	1" 1/4	32	16	10	190	111	87	214	21,4	171,2	A	742
RVUFT100E	1"	25	16	16	165	95	75	183	19,1	144,8	A	522
RVUFT034E	3/4"	20	16	16	145	84	66	159	16,3	126,4	A	355
RVUFT012E	1/2"	15	16	16	125	72	55	142	15	112	A	210
RVUFT038E	3/8"	10	16	16	125	72	55	135	11,4	112,2	A	206
RVUFV200E	2"	50	16	10	240	139	120	285	25,7	233,6	A	1873
RVUFV112E	1" 1/2	40	16	10	210	120	100	235	21,4	192,2	A	1106
RVUFV114E	1" 1/4	32	16	10	190	111	87	214	21,4	171,2	A	742
RVUFV100E	1"	25	16	16	165	95	75	183	19,1	144,8	A	522

All information subject to change.

Please contact us on <https://www.aliaxis.co.uk/get-in-touch> for further informations



RVUFV-RVUFT - Sediment strainer DN 10:100

Reference	R	DN	PN RVUFV	PN RVUFT	A max	B	E	H	L	Z	Fig.	g
RVUFV034E	3/4"	20	16	16	145	84	66	159	16,3	126,4	A	355
RVUFV012E	1/2"	15	16	16	125	72	55	142	15	112	A	210
RVUFT200E	2"	50	16	10	240	139	120	285	25,7	233,6	A	1873

All information subject to change.

Please contact us on <https://www.aliasis.co.uk/get-in-touch> for further informations

