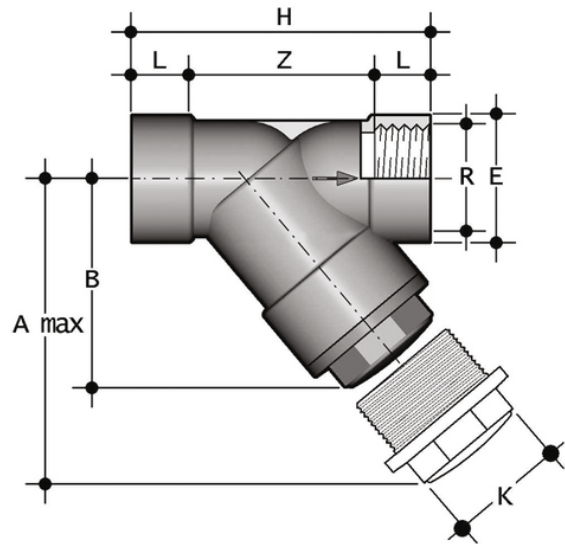


# RVFV-RVFT - Sediment strainer DN 10:100

RVFV PVC-U rigid - RVFT PVC-U transparent.  
Sediment strainer with BSP threaded female ends.

The RV Sediment strainer limits the passage of any solid particles present in the fluid by means of a strainer.

- Connection system for solvent weld, threaded and flanged joints
- **Strainer** mounted on an easily removed **support** that facilitates the cleaning or replacement
- **Valve material compatibility** (PVC-U) with water conveyance, drinking water and other food substances according to **current regulations**
- Can be maintained with the valve body installed



## EPDM

Reference	R	DN	PN RVFV	PN RVFT	A max	B	E	H	K	L	Z	Fig.	g
RVFV212E	2" 1/2	65	10	6	300	179	104	243	96	30,2	182,6	B	2385
RVFV300E	3"	80	6	4	325	192	116	262	105	33,3	195,4	B	2965
RVFV400E	4"	100	6	4	385	231	138	325	-	39,3	246,4	C	4405
RVFT212E	2" 1/2	65	10	6	300	179	104	243	96	30,2	182,6	B	2385
RVFT300E	3"	80	6	4	325	192	116	262	105	33,3	195,4	B	2965
RVFT400E	4"	100	6	4	385	231	138	325	-	39,3	246,4	C	4405

All information subject to change.

Please contact us on <https://www.aliaxis.co.uk/get-in-touch> for further informations