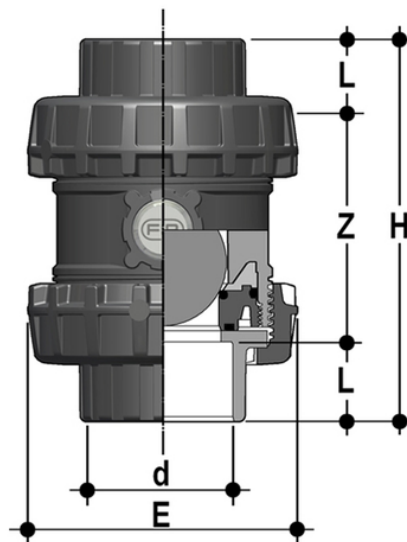


# SXEIV – Easyfit True Union ball and spring check valve DN 65:100

Easyfit ball check valve with female ends for solvent welding, metric series.

The Easyfit check valve line developed with Giugiaro Design offers two different versions: SXE with ball shutter and SSE with spring loaded shutter. Easyfit check valves stand out for the innovative installation method that guarantees reliable service over time. This valve is also equipped with a customisable Labelling System.

- **Customisable Labelling System: built-in LCE module** on the valve body made up of transparent protection plug and customisable tag holder using the LSE set (available as accessory). The customisation potential lets you **identify the valve on the system** according to specific needs
- **Optimised dynamic fluid design:** energy savings due to the improved valve Kv value and consequent reduced pressure drop
- High surface finish ball shutter: **reduced wear**, longer working life and reduced valve maintenance. Ideal to convey dirty fluids, even with suspended fluids or filaments, thanks to the special design that permits **internal valve selfcleaning**
- Locked ball seat carrier: safe dismounting for maintenance with the Easyfit multifunctional handle
- Ideal for horizontal installations: **perfect seal even with low back pressure. Silent** and durable even with strong vibrations and pulsating fluid
- PVC-U shutter and springs available in STAINLESS Steel 316, A316 PTFE encapsulated: maximum reliability in a **wide field of applications** from salt water to aggressive acids
- Connection system for solvent weld and threaded joints
- **Valve material compatibility** (PVC-U) with water, drinking water and other food substance conveyance according to **current regulations**
- **PN16 True Union valve body** made for PVC-U injection moulding and European Directive 2014/68/EU (PED) compliant for pressurised equipment. ISO 9393 compliant test requirements
- Easy radial dismounting and fully interchangeable with VEE and VXE 65-100 valve models
- Union nut profile that perfectly adapts to the Easyfit multifunctional handle hooked insert (available as an accessory) that lets you control union nut rotation
- **Vertical** (preferable for SXE model) and **horizontal installation** potential



EPDM

All information subject to change.

Please contact us on <https://www.aliaxis.co.uk/get-in-touch> for further informations

# SXEIV – Easyfit True Union ball and spring check valve DN 65:100

Reference	d	DN	PN	E	H	L	Z	g
SXEIV075E	75	65	16	157	211	44	123	2605
SXEIV090E	90	80	16	174	248	51	146	3300
SXEIV110E	110	100	16	212	283	61	161	5770

## EPDM

Reference	d	DN	PN	E	H	L	Z	g
SXEIV075E0SF	75	65	16	157	211	44	123	2605
SXEIV090E0SF	90	80	16	174	248	51	146	3300
SXEIV110E0SF	110	100	16	212	283	61	161	5770

## FKM

Reference	d	DN	PN	E	H	L	Z	g
SXEIV075F	75	65	16	157	211	44	123	2605
SXEIV090F	90	80	16	174	248	51	146	3300
SXEIV110F	110	100	16	212	283	61	161	5770

## FKM

Reference	d	DN	PN	E	H	L	Z	g
SXEIV075F0SF	75	65	16	157	211	44	123	2605
SXEIV090F0SF	90	80	16	174	248	51	146	3300
SXEIV110F0SF	110	100	16	212	283	61	161	5770