

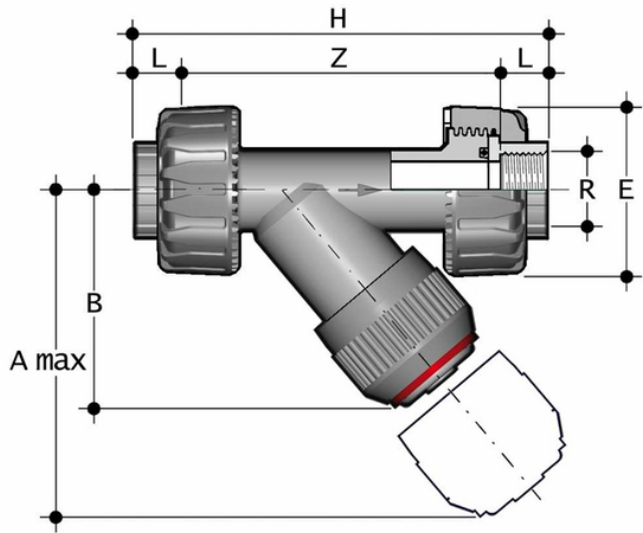
RVUNT - Sediment strainer DN 10:100

PVC-U transparent.

Sediment strainer with NPT threaded female union ends.

The RV Sediment strainer limits the passage of any solid particles present in the fluid by means of a strainer.

- Connection system for solvent weld, threaded and flanged joints
- **Strainer** mounted on an easily removed **support** that facilitates the cleaning or replacement
- **Valve material compatibility** (PVC-U) with water conveyance, drinking water and other food substances according to **current regulations**
- Can be maintained with the valve body installed



Reference	R	DN	PN	A max	B	E	H	L	Z	Fig.	g
RVUNT012E	1/2"	15	16	125	72	55	142	17,8	106,4	A	210
RVUNT034E	3/4"	20	16	145	84	66	159	18	123	A	355
RVUNT038E	3/8"	10	16	125	72	55	135	13,7	107,6	A	206
RVUNT100E	1"	25	16	165	95	75	183	22,6	137,8	A	522
RVUNT112E	1" 1/2	40	10	210	120	100	235	24,7	185,6	A	1106
RVUNT114E	1" 1/4	32	10	190	111	87	214	25,1	163,8	A	742
RVUNT200E	2"	50	10	240	139	120	285	29,6	225,8	A	1873

All information subject to change.

Please contact us on <https://www.aliasis.co.uk/get-in-touch> for further informations