

FKOV/FM – Butterfly valve DN 40:400

Butterfly valve with bare shaft.

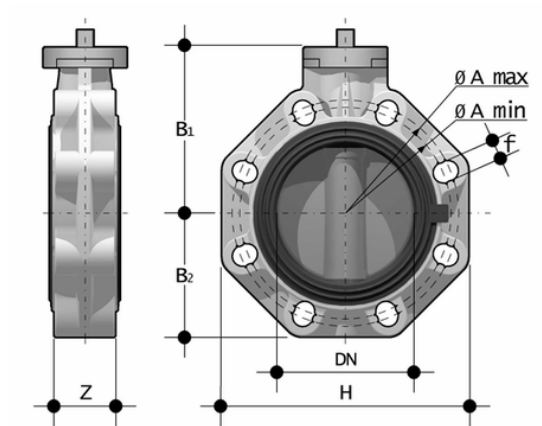
The FK is a butterfly valve for shutting off or regulating flow, with structural characteristics that make it ideal for industrial applications requiring high performance and longterm reliability. This valve is also equipped with the customisable Labelling System.

- **Ergonomic handle** in HIPVC equipped with **locking and unlocking device, release, quick operation and graduated adjustment** in 10 intermediate positions (DN 40÷200). The operating range, starting from the first few degrees of valve opening, also guarantees extremely low pressure drops.
- **Customisable Labelling System:** integrated module in the handle, made of a transparent protection plug and a customisable tag holder using the LSE set (available as an accessory). The **customisation** lets you **identify the valve on the system** according to specific needs.
- **STAINLESS steel square section stem** completely isolated from the fluid complying with standard ISO 5211:
 - DN 40÷65: 11 mm
 - DN 80÷100: 14 mm
 - DN 125÷150: 17 mm
 - DN 200: 22 mm
 - DN 250÷400: 27 mm
- **Body** in polypropylene based **compound reinforced with fibreglass (PP-GR)** **resistant to UV rays** and characterised by **high mechanical strength**.
- **Drilling pattern using oval slots** that allow coupling to flanges according to numerous international standards. The special **self-centring inserts in ABS** supplied for DN 40÷200 guarantee the **correct axial alignment** of the valve during installation. For DN 250÷400 valves, the drilling pattern for the selfcentring system is of the traditional type according to DIN and ANSI standards.
- **Interchangeable liner** with the dual function of forming a hydraulic seal and isolating the body from the fluid.
- Interchangeable disk in PVC-U with through shaft, available in different thermoplastic materials: PP-H, PVC-C, ABS, PVDF
- Overall dimensions of the valve in accordance with standard ISO 5752 (DN 40÷200 Medium Series 25, DN 250÷ 300 Long Series 16) and DIN 3202 K2 and ISO 5752 (DN 65÷200 K2, DN 250÷300 K3)
- Can also be installed as an end line valve, bottom discharge valve or tank dump valve
- **Special Lug version** PN 10 fully drilled to DIN 2501 or ANSI B16.5 cl.150 with **molded-in AISI 316 STAINLESS steel threaded inserts**
- **Valve material compatibility** (PVC-U + EPDM) with water conveyance, drinking water and other food substances according to **current regulations**
- Possibility of installing a manual reducer or pneumatic and/or electric actuators by applying an ISO standard drilling PP-GR flanges. DN 40 ÷ 200 valve fitted with plate with rack in PP-GR. For actuated versions with flange drilled according to ISO 5211 F05, 07, F10. DN 250÷400 valve, fitted with one-piece top flange in high mechanical strength PP-GR with mounting flange for internal components drilled according to standard ISO 5211 F10 (excluding DN 350÷400), F12, F14.
- Possibility to have handle with integrated LSQT limit micro switch, even as a retrofit in existing installations

All information subject to change.

Please contact us on <https://www.aliaxis.co.uk/get-in-touch> for further informations

FKOV/FM – Butterfly valve DN 40:400



EPDM

Reference	d	DN	PN	A min	A max	øA	B ₁	B ₂	f	H	U	Z	g
FKOVFM050E	50 - 1 1/2"	40	16	99	109	-	106	60	19	132	4	33	574
FKOAVFM814E	14"	350	7	-	-	476	330	280	28,5	530	12	129	26000
FKOAVFM812E	****12"	300	8	-	-	432	305	245	25,4	475	12	114	19000
FKOAVFM810E	****10"	250	10	-	-	362	248	210	25,4	405	12	114	12000
FKOVFM400E	400	400	6	-	-	515	350	306	26	594	16	169	34000
FKOVFM355E	355	350	7	-	-	460	330	280	22	530	16	129	26000
FKOVFM315E	315	300	8	-	-	400	305	245	22	475	12	114	19000
FKOVFM280E	***280	250	10	-	-	350	248	210	22	405	12	114	12000
FKOVFM225E	225 - 8"	200	10	280	298	-	227	161	23	323	8	71	6000
FKOVFM160E	160 - 6"	150	10	230	242	-	180	134	23	268	8	70	3300
FKOVFM140E	140 - 5"	125	10	204	215	-	167	120	23	240	8	64	2550
FKOVFM110E	110 - 4"	100	10	165	190	-	147	107	19	211	8	56	1750
FKOVFM090E	90 - 3"	80	10	145	160	-	133	93	19	185	12	49	1400
FKOVFM075E	75 - 2 1/2"	65	10	128	144	-	119	80	19	165	4	46	1000
FKOVFM063E	63 - 2"	50	16	115	125,5	-	112	70	19	147	4	43	754
FKOAVFM816E	16"	400	6	-	-	540	350	306	28,5	594	16	169	34000

FKM

All information subject to change.

Please contact us on <https://www.aliaxis.co.uk/get-in-touch> for further informations

FKOV/FM – Butterfly valve DN 40:400

Reference	d	DN	PN	A min	A max	øA	B ₁	B ₂	f	H	U	Z	g
FKOVFM050F	50 - 1"1/2	40	16	99	109	-	106	60	19	132	4	33	574
FKOAVFM814F	14"	350	7	-	-	476	330	280	28,5	530	12	129	26000
FKOAVFM812F	****12"	300	8	-	-	432	305	245	25,4	475	12	114	19000
FKOAVFM810F	****10"	250	10	-	-	362	248	210	25,4	405	12	114	12000
FKOVFM400F	400	400	6	-	-	515	350	306	26	594	16	169	34000
FKOVFM355F	355	350	7	-	-	460	330	380	22	530	16	129	26000
FKOVFM315F	***315	300	8	-	-	400	305	245	22	475	12	114	19000
FKOVFM280F	***280	250	10	-	-	350	248	210	22	405	12	114	12000
FKOVFM225F	225 - 8"	200	10	280	298	-	227	161	23	323	8	71	6000
FKOVFM160F	160 - 6"	150	10	230	242	-	180	134	23	268	8	70	3300
FKOVFM140F	140 - 5"	125	10	204	215	-	167	120	23	240	8	64	2550
FKOVFM110F	110 - 4"	100	10	165	190	-	147	107	19	211	8	56	1750
FKOVFM090F	90 - 3"	80	10	145	160	-	133	93	19	185	12	49	1400
FKOVFM075F	75 - 2"1/2	65	10	128	144	-	119	80	19	165	4	46	1000
FKOVFM063F	63 - 2"	50	16	115	125,5	-	112	70	19	147	4	43	754
FKOAVFM816F	16"	400	6	-	-	540	350	306	28,5	594	16	169	34000

FKM

Reference	d	DN	PN	A min	A max	øA	B ₁	B ₂	f	H	U	Z	g
FKOVFM050F0SF	50 - 1"1/2	40	16	99	109	-	106	60	19	132	4	33	574
FKOVFM063F0SF	63 - 2"	50	16	115	125,5	-	112	70	19	147	4	43	754
FKOVFM075F0SF	75 - 2"1/2	65	10	128	144	-	119	80	19	165	4	46	1000
FKOVFM090F0SF	90 - 3"	80	10	145	160	-	133	93	19	185	12	49	1400
FKOVFM110F0SF	110 - 4"	100	10	165	190	-	147	107	19	211	8	56	1750
FKOVFM140F0SF	140 - 5"	125	10	204	215	-	167	120	23	240	8	64	2550
FKOVFM160F0SF	160 - 6"	150	10	230	242	-	180	134	23	268	8	70	3300

All information subject to change.

Please contact us on <https://www.aliasis.co.uk/get-in-touch> for further informations