

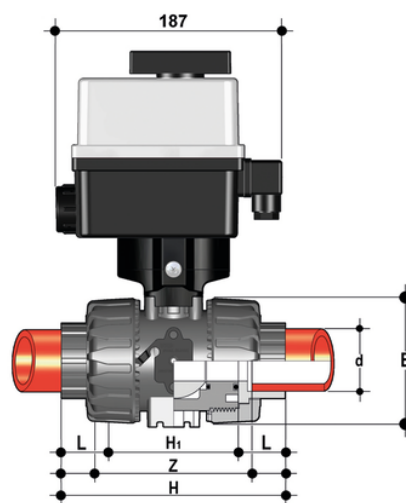
# VKDIM/CE 90-240 V AC - Electrically actuated DUAL BLOCK® 2-way ball valve DN 10:50

Electrically actuated DUAL BLOCK® ball valve with metric plain socket ends for socket welding and electric actuator multivolt 90-240 V AC 50-60 Hz.

FIP has developed a VKD DUAL BLOCK® ball valve to introduce a high reference standard in thermoplastic valve design. VKD is a True Union ball valve that meets the most stringent needs required by industrial applications.

In addition to the manually actuated version, VKD is also available in VKD/CE electrically actuated and VKD/CP pneumatically actuated configurations. Actuators are firmly connected to the valve by the special FIP Power Quick modules fully made of PP-GR technopolymer. VKD/CE and VKD/CP are constructed with actuators meeting current regulations and selected by FIP according to their quality and reliability requirements. The efficiency of these valves, tested according to the company's quality standards, is guaranteed by the expertise and know-how that FIP dedicates to manufacturing its products.

- Electric actuator constructed according to FIP specifications; with plastic shell and standard emergency override. Available with voltages from 12 to 240V
- Rack & pinion type pneumatic actuator constructed according to FIP specifications: fully protected against weather corrosion available in double-acting (DA) or simple-acting normally closed (NC) or normally open (NO) versions
- DUAL BLOCK® patented lock system that ensures union nut tightening hold even in severe conditions such as vibrations or heat dilation
- Double stem with double O-Rings for ball centring and operating torque reduction. The upper stem is also equipped with a co-moulded steel insert that guarantees high durability and perfect torque transmission between the actuator and ball
- Joint system for solvent welding (PVC-U and PVC-C only), for welding (PP-H and PVDF only), for threading and flanging
- Patented SEAT STOP® ball carrier system that lets you micro-adjust ball seats and minimise the axial force effect.
- Easy radial disassembly allowing quick replacement of O-rings and ball seats without any need for tools
- Radial dismounting valve body (True Union) made for PVC-U, PVC-C and PP-H injection moulding equipped with built-in bores for actuation. ISO 9393 compliant test requisites
- Option of disassembling downstream pipes with the valve in the closed position
- Floating full bore ball with high surface finish
- Integrated bracket for valve anchoring
- Possibility of installing a gear box or pneumatic and/or electric actuators by applying an ISO standard bore PP-GR flange
- Stainless steel co-moulded stem, with square section as per ISO 5211



All information subject to change.

Please contact us on <https://www.aliaxis.co.uk/get-in-touch> for further informations

# VKDIM/CE 90-240 V AC - Electrically actuated DUAL BLOCK® 2-way ball valve DN 10:50

## EPDM

Reference	d	DN	PN	E	H	H1	L	Z	B	B <sub>1</sub>
VKDIMEM016E	16	10	10	54	103	65	14	75	205	29
VKDIMEM020E	20	15	10	54	103	65	16	71	205	29
VKDIMEM025E	25	20	10	65	115	70	19	77	216	34.5
VKDIMEM032E	32	25	10	73	128	78	22	84	221	39
VKDIMEM040E	40	32	10	86	146	88	26	94	238	46
VKDIMEM050E	50	40	10	98	164	93	31	102	244	52
VKDIMEM063E	63	50	10	122	199	111	38	123	261	62

## FKM

Reference	d	DN	PN	E	H	H1	L	Z	B	B <sub>1</sub>	g
VKDIMEM016F	16	10	10	54	103	65	14	75	205	29	1798
VKDIMEM020F	20	15	10	54	103	65	16	71	205	29	1792
VKDIMEM025F	25	20	10	65	115	70	19	77	216	34.5	1923
VKDIMEM032F	32	25	10	73	128	78	22	84	221	39	2043
VKDIMEM040F	40	32	10	86	146	88	26	94	238	46	2400
VKDIMEM050F	50	40	10	98	164	93	31	102	244	52	2688
VKDIMEM063F	63	50	10	122	199	111	38	123	261	62	3311

All information subject to change.

Please contact us on <https://www.aliasis.co.uk/get-in-touch> for further informations