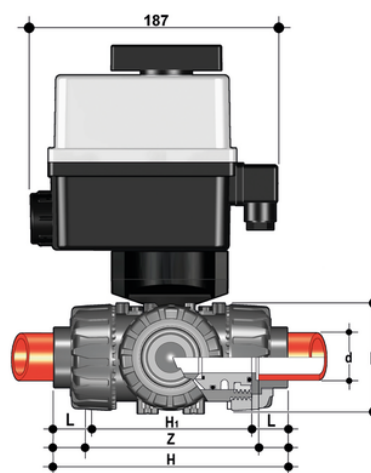


LKDIM/CE 24 V AC/DC - Electrically actuated DUAL BLOCK® 3-way ball valve DN 10:50

3 way DUAL BLOCK® ball valve with female ends for socket welding with electric actuator 24 V AC/DC "L" ball.



EPDM

Reference	d	DN	PN	E	H	H1	L	Z	B	B ₁	g
LKDIMEL016E1	16	10	10	54	118	80	14	89.5	205	29	1728
LKDIMEL020E1	20	15	10	54	118	80	15	88	205	29	1728
LKDIMEL025E1	25	20	10	65	145	100	16.5	112	216	34.5	1876
LKDIMEL032E1	32	25	10	73	160	110	19	122	221	39	2014
LKDIMEL040E1	40	32	10	86	188.5	131	23	142.5	238	46	2425
LKDIMEL050E1	50	40	10	98	219	148	23.5	172	244	52	2652
LKDIMEL063E1	63	50	10	122	266.5	179	27.7	211.15	261	62	3357

FKM

Reference	d	DN	PN	E	H	H1	L	Z	B	B ₁	g
LKDIMEL016F1	16	10	10	54	118	80	14	89.5	205	29	1728
LKDIMEL020F1	20	15	10	54	118	80	15	88	205	29	1728
LKDIMEL025F1	25	20	10	65	145	100	16.5	112	216	34.5	1876
LKDIMEL032F1	32	25	10	73	160	110	19	122	221	39	2014
LKDIMEL040F1	40	32	10	86	188.5	131	23	142.5	238	46	2425
LKDIMEL050F1	50	40	10	98	219	148	23.5	172	244	52	2652
LKDIMEL063F1	63	50	10	122	266.5	179	27.7	211.15	261	62	3357

All information subject to change.

Please contact us on <https://www.aliaxis.co.uk/get-in-touch> for further informations