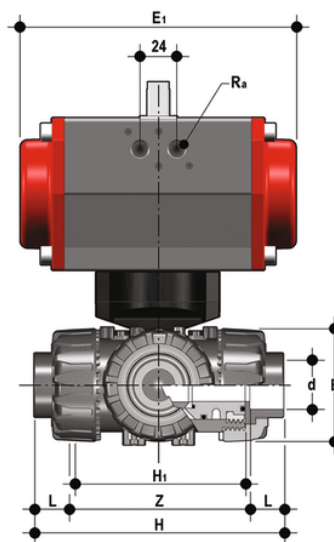


TKDIC/CP DA - Pneumatically actuated DUAL BLOCK® 3-way ball valve DN 10:50

3 way DUAL BLOCK® ball valve with female ends for solvent welding, metric series with pneumatic actuator, Double-Acting function. "T" ball, configuration 1.



EPDM

Reference	d	DN	PN	E	H	H1	L	Z	R _a	B	B ₁	E ₁	E ₂
TKDICDA016E1	16	10	16	54	118	80	14	90	G1/8"	145	29	138	75
TKDICDA020E1	20	15	16	54	118	80	16	86	G1/8"	145	29	138	86
TKDICDA025E1	25	20	16	65	145	100	19	107	G1/4"	156.5	34.5	155.5	86
TKDICDA032E1	32	25	16	73	160	110	22	116	G1/4"	161	39	155.5	86
TKDICDA040E1	40	32	16	86	188.5	131	26	136.5	G1/4"	194	46	155.5	86
TKDICDA050E1	50	40	16	98	219	148	31	157	G1/4"	200	52	155.5	86
TKDICDA063E1	63	50	16	122	266.5	179	38	190.5	G1/4"	200	62	155.5	86

FKM

Reference	d	DN	PN	E	H	H1	L	Z	R _a	B	B ₁	E ₁	E ₂
TKDICDA016F1	16	10	16	54	118	80	14	90	G1/8"	145	29	138	75
TKDICDA020F1	20	15	16	54	118	80	16	86	G1/8"	145	29	138	86
TKDICDA025F1	25	20	16	65	145	100	19	107	G1/4"	156.5	34.5	155.5	86
TKDICDA032F1	32	25	16	73	160	110	22	116	G1/4"	161	39	155.5	86
TKDICDA040F1	40	32	16	86	188.5	131	26	136.5	G1/4"	194	46	155.5	86
TKDICDA050F1	50	40	16	98	219	148	31	157	G1/4"	200	52	155.5	86

All information subject to change.

Please contact us on <https://www.aliaxis.co.uk/get-in-touch> for further informations



TKDIC/CP DA - Pneumatically actuated DUAL BLOCK® 3-way ball valve DN 10:50

Reference	d	DN	PN	E	H	H1	L	Z	R _G	B	B ₁	E ₁	E ₂
TKDICDA063F1	63	50	16	122	266.5	179	38	190.5	G1/4"	200	62	155.5	86

All information subject to change.

Please contact us on <https://www.aliaxis.co.uk/get-in-touch> for further informations

