

# VKRLV/CE 90-240 V AC 4-20 mA - Electrically actuated DUAL BLOCK® regulating ball valve DN 10:50

2 way 2 way DUAL BLOCK® regulating ball valve with female ends for solvent welding, BS series with multivolt electric modulating actuator 90-240 V AC 50-60 Hz.

The VKR DUAL BLOCK® valve combines high reliability and safety aspects typical of VKD full bore ball valves with the new flow adjustment function with typical linear curve that meets the most stringent needs typical of industrial applications.

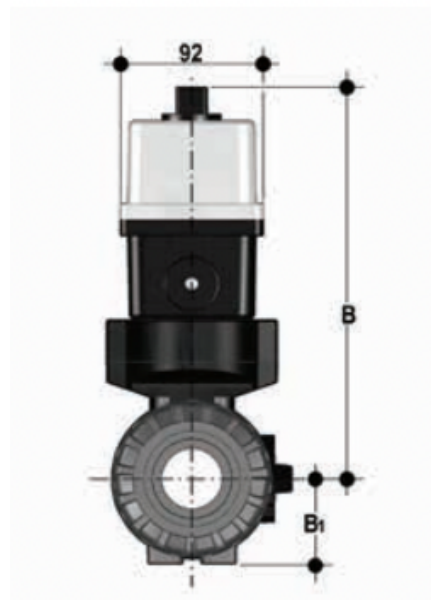
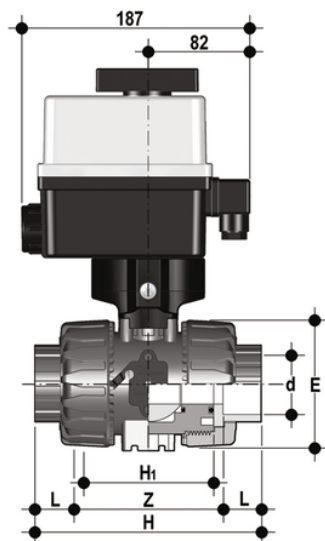
In addition to the manually actuated version, VKR is also available in electrically actuated VKR/CE configuration. Actuators are firmly connected to the valve by the special FIP PowerQuick modules fully made of PP-GR technopolymer. VKR/CE are constructed with actuators meeting current regulations and selected by FIP according to their quality and reliability requirements. The efficiency of these valves, tested according to the company's quality standards, is guaranteed by the expertise and know-how that FIP dedicates to manufacturing its products.

- Electric modulating actuator constructed according to FIP specifications; with plastic shell and standard emergency override. Available with voltages from 12 to 240V with 4-20mA and 0-10 V input
- High surface finish stem with double O-Ring. The double connection key system guarantees solid and reliable actuator torque transmission to the ball
- Easy to install PowerQuick module for pneumatic or electric actuator fully made of highly robust technopolymer
- The patented ball design provides linear flow regulation throughout its range of operation even when the valve is open just a few degrees and guarantees minimum pressure drops
- Patented DUAL BLOCK® system: prevents union nuts from loosening even under extreme operating conditions: e.g. vibration or thermal expansion
- Joint system for solvent welding (PVC-U only), for welding (PP-H and PVDF only), for threading and flanging
- Patented SEAT STOP® ball carrier system that lets you micro-adjust ball seats and minimise the axial force effect
- Easy radial disassembly allowing quick replacement of O-rings and ball seats without any need for tools
- Radial dismounting valve body (True Union) made for PVC-U, PVC-C and PVDF-H injection moulding equipped with built-in bores for actuation. ISO 9393 compliant test requisites
- Option of disassembling downstream pipes with the valve in the closed position
- High surface finish stem with double O-Ring and double groove ball connection
- Integrated bracket for valve anchoring
- Ball seat carrier can be adjusted using the Easytorque adjustment kit
- Actuation option: version with electric modulating actuator with 4-20 mA / 0-10 V inlet and 4-20 mA / 0-10 V outlet to monitor the position
- Valve suitable for carrying fluids that are clean and free of suspended particles

All information subject to change.

Please contact us on <https://www.aliaxis.co.uk/get-in-touch> for further informations

# VKRLV/CE 90-240 V AC 4-20 mA - Electrically actuated DUAL BLOCK® regulating ball valve DN 10:50



## EPDM

Reference	d	DN	B	B <sub>1</sub>	PN	E	H	H <sub>1</sub>	L	Z	g
VKRLVEM038EOE	3/8"	10	205	29	16	54	103	65	14.5	74	1785
VKRLVEM012EOE	1/2"	15	205	29	16	54	103	65	16.5	70	1775
VKRLVEM034EOE	3/4"	20	216	34.5	16	65	115	70	19	77	1903
VKRLVEM100EOE	1"	25	221	39	16	73	128	78	22.5	83	2011
VKRLVEM114EOE	1" 1/4	32	238	46	16	86	146	88	26	94	2369
VKRLVEM112EOE	1" 1/2	40	244	52	16	98	164	93	30	104	2601
VKRLVEM200EOE	2"	50	261	62	*10	122	199	111	36	127	3218

## FKM

Reference	d	DN	B	B <sub>1</sub>	PN	E	H	H <sub>1</sub>	L	Z	g
VKRLVEM038FOE	3/8"	10	205	29	16	54	103	65	14.5	74	1785
VKRLVEM012FOE	1/2"	15	205	29	16	54	103	65	16.5	70	1775
VKRLVEM034FOE	3/4"	20	216	34.5	16	65	115	70	19	77	1903
VKRLVEM100FOE	1"	25	221	39	16	73	128	78	22.5	83	2011
VKRLVEM114FOE	1" 1/4	32	238	46	16	86	146	88	26	94	2369
VKRLVEM112FOE	1" 1/2	40	244	52	16	98	164	93	30	104	2601
VKRLVEM200FOE	2"	50	261	62	*10	122	199	111	36	127	3218

All information subject to change.

Please contact us on <https://www.aliasis.co.uk/get-in-touch> for further informations