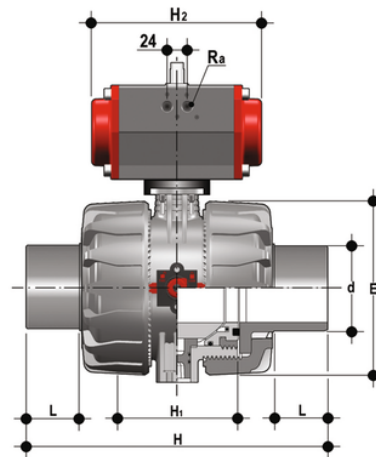
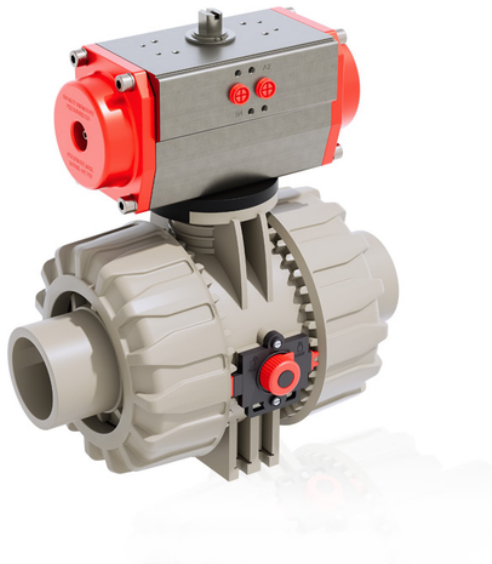


VKDDM/CP DA - Pneumatically actuated DUAL BLOCK® 2-way ball valve DN 65:100

Pneumatically actuated DUAL BLOCK® ball valve with metric plain spigot ends for socket welding Double Acting.



EPDM

Reference	d	DN	PN	E	H	H1	L	H2	R _a	B	B ₁	E ₁	g
VKDDMDA075E	75	65	10	164	284	133	36.5	155	G1/4"	222	87	86	4110
VKDDMDA090E	90	80	10	203	300	149	37.5	210	G1/4"	252	105	94	7400
VKDDMDA110E	110	100	10	238	340	167	42.5	228	G1/4"	280	129	104	11245

FKM

Reference	d	DN	PN	E	H	H1	L	H2	R _a	B	B ₁	E ₁	g
VKDDMDA075F	75	65	10	164	284	133	36.5	155	G1/4"	222	87	86	4110
VKDDMDA090F	90	80	10	203	300	149	37.5	210	G1/4"	252	105	94	7400
VKDDMDA110F	110	100	10	238	340	167	42.5	228	G1/4"	280	129	104	11245

All information subject to change.

Please contact us on <https://www.aliasis.co.uk/get-in-touch> for further informations