

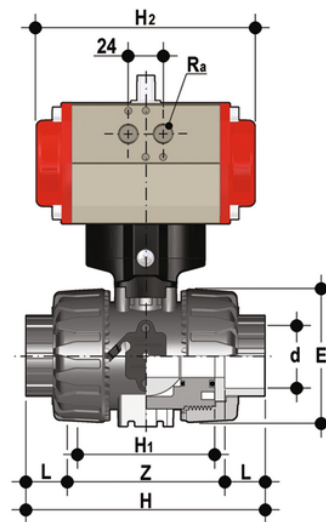
# VKDIV/CP NO – Pneumatically actuated DUAL BLOCK® 2-way ball valve DN 10:50

Pneumatically actuated DUAL BLOCK® ball valve with metric plain socket ends for solvent welding, Normally Open.

FIP has developed a VKD DUAL BLOCK® ball valve to introduce a high reference standard in thermoplastic valve design. VKD is a True Union ball valve that meets the most stringent needs required by industrial applications.

In addition to the manually actuated version, VKD is also available in VKD/CE electrically actuated and VKD/CP pneumatically actuated configurations. Actuators are firmly connected to the valve by the special FIP PowerQuick modules fully made of PP-GR technopolymer. VKD/CE and VKD/CP are constructed with actuators meeting current regulations and selected by FIP according to their quality and reliability requirements. The efficiency of these valves, tested according to the company's quality standards, is guaranteed by the expertise and know-how that FIP dedicates to manufacturing its products.

- Electric actuator constructed according to FIP specifications; with plastic shell and standard emergency override. Available with voltages from 12 to 240V
- Rack & pinion type pneumatic actuator constructed according to FIP specifications: fully protected against weather corrosion available in double-acting (DA) or simple-acting normally closed (NC) or normally open (NO) versions
- DUAL BLOCK® patented lock system that ensures union nut tightening hold even in severe conditions such as vibrations or heat dilation
- Double stem with double O-Rings for ball centring and operating torque reduction. The upper stem is also equipped with a co-moulded steel insert that guarantees high durability and perfect torque transmission between the actuator and ball
- Joint system for solvent welding (PVC-U and PVC-C only), for welding (PP-H and PVDF only), for threading and flanging
- Patented SEAT STOP® ball carrier system that lets you micro-adjust ball seats and minimise the axial force effect
- Easy radial disassembly allowing quick replacement of O-rings and ball seats without any need for tools
- Radial dismounting valve body (True Union) made for PVC-U, PVC-C and PP-H injection moulding equipped with built-in bores for actuation. ISO 9393 compliant test requisites
- Option of disassembling downstream pipes with the valve in the closed position
- Floating full bore ball with high surface finish
- Integrated bracket for valve anchoring
- Possibility of installing a gear box or pneumatic and/or electric actuators by applying an ISO standard bore PP-GR flange
- Stainless steel co-moulded stem, with square section as per ISO 5211



All information subject to change.

Please contact us on <https://www.aliaxis.co.uk/get-in-touch> for further informations

# VKDIV/CP NO – Pneumatically actuated DUAL BLOCK® 2-way ball valve DN 10:50

## EPDM

Reference	d	DN	PN	E	H	H1	L	Z	H2	R <sub>G</sub>	B	B <sub>1</sub>	E <sub>1</sub>	g
VKDIVNO016E	16	10	16	54	103	65	14	75	160	G1/8"	135	29	60.5	1215
VKDIVNO020E	20	15	16	54	103	65	16	71	160	G1/8"	135	29	60.5	1205
VKDIVNO025E	25	20	16	65	115	70	19	77	138	G1/8"	156.5	34.5	75	1583
VKDIVNO032E	32	25	16	73	128	78	22	84	138	G1/8"	161	39	75	1691
VKDIVNO040E	40	32	16	86	146	88	26	94	155.5	G1/4"	194	46	86	2669
VKDIVNO050E	50	40	16	98	164	93	31	102	155.5	G1/4"	200	52	86	2901
VKDIVNO063E	63	50	16	122	199	111	38	123	155.5	G1/4"	217	62	86	3518

## FKM

Reference	d	DN	PN	E	H	H1	L	Z	H2	R <sub>G</sub>	B	B <sub>1</sub>	E <sub>1</sub>	g
VKDIVNO016F	16	10	16	54	103	65	14	75	160	G1/8"	135	29	60.5	1215
VKDIVNO020F	20	15	16	54	103	65	16	71	160	G1/8"	135	29	60.5	1205
VKDIVNO025F	25	20	16	65	115	70	19	77	138	G1/8"	156.5	34.5	75	1583
VKDIVNO032F	32	25	16	73	128	78	22	84	138	G1/8"	161	39	75	1691
VKDIVNO040F	40	32	16	86	146	88	26	94	155.5	G1/4"	194	46	86	2669
VKDIVNO050F	50	40	16	98	164	93	31	102	155.5	G1/4"	200	52	86	2901
VKDIVNO063F	63	50	16	122	199	111	38	123	155.5	G1/4"	217	62	86	3518