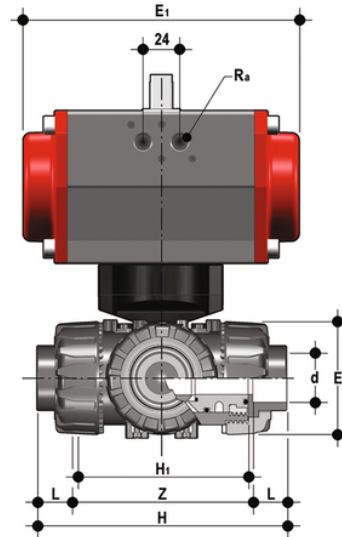


# TKDAV/CP SA – Pneumatically actuated DUAL BLOCK® 3-way ball valve DN 10:50

3 way DUAL BLOCK® ball valve with female ends, ASTM series with pneumatic actuator, Single-acting function "T" ball, configuration 1.



## EPDM

Reference	d	DN	PN	E	H	H1	L	Z	R <sub>a</sub>	B	B <sub>1</sub>	E <sub>1</sub>	E <sub>2</sub>	g
TKDAVSA038E1	3/8"	10	16	54	132.19999999999999	80	19.5	93.2	G1/8"	145	29	138	75	1543
TKDAVSA012E1	1/2"	15	16	54	132.19999999999999	80	23	86.2	G1/8"	145	29	138	86	2143
TKDAVSA034E1	3/4"	20	16	65	159.19999999999999	100	25.5	108.2	G1/4"	156.5	34.5	155.5	86	2386
TKDAVSA100E1	1"	25	16	73	174	110	28.7	116.6	G1/4"	161	39	155.5	86	2659
TKDAVSA114E1	1" 1/4	32	16	86	205	131	32	141	G1/4"	194	46	155.5	86	3113
TKDAVSA112E1	1" 1/2	40	16	98	227.6	148	35	157.6	G1/4"	200	52	155.5	86	3460
TKDAVSA200E1	2"	50	16	122	267	179	38.200000000000003	190.6	G1/4"	217	62	210	94	6154

## FKM

Reference	d	DN	PN	E	H	H1	L	Z	R <sub>a</sub>	B	B <sub>1</sub>	E <sub>1</sub>	E <sub>2</sub>	g
TKDAVSA038F1	3/8"	10	16	54	132.19999999999999	80	19.5	93.2	G1/8"	145	29	138	75	1543
TKDAVSA012F1	1/2"	15	16	54	132.19999999999999	80	23	86.2	G1/8"	145	29	138	86	2143
TKDAVSA034F1	3/4"	20	16	65	159.19999999999999	100	25.5	108.2	G1/4"	156.5	34.5	155.5	86	2386
TKDAVSA100F1	1"	25	16	73	174	110	28.7	116.6	G1/4"	161	39	155.5	86	2659
TKDAVSA114F1	1" 1/4	32	16	86	205	131	32	141	G1/4"	194	46	155.5	86	3113
TKDAVSA112F1	1" 1/2	40	16	98	227.6	148	35	157.6	G1/4"	200	52	155.5	86	3460
TKDAVSA200F1	2"	50	16	122	267	179	38.200000000000003	190.6	G1/4"	217	62	210	94	6154

All information subject to change.

Please contact us on <https://www.aliaxis.co.uk/get-in-touch> for further informations