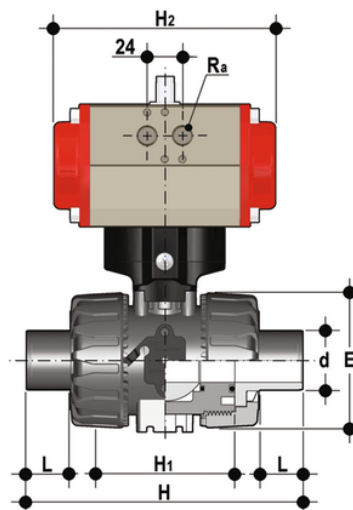


VKDDV/CP DA – Pneumatically actuated DUAL BLOCK® 2-way ball valve DN 10:50

Pneumatically actuated DUAL BLOCK® ball valve with metric plain spigot ends for solvent welding, Double Acting.



EPDM

Reference	d	DN	PN	E	H	H1	L	H2	R _a	B	B ₁	E ₁	g
VKDDVDA016E	16	10	16	54	149	65	14	160	G1/8"	135	29	60.5	1155
VKDDVDA020E	20	15	16	54	124	65	16	160	G1/8"	135	29	60.5	1145
VKDDVDA025E	25	20	16	65	144	70	19	138	G1/8"	156.5	34.5	75	1473
VKDDVDA032E	32	25	16	73	154	78	22	138	G1/8"	161	39	75	1581
VKDDVDA040E	40	32	16	86	174	88	26	155.5	G1/4"	194	46	86	2469
VKDDVDA050E	50	40	16	98	194	93	31	155.5	G1/4"	200	52	86	2701
VKDDVDA063E	63	50	16	122	224	111	38	155.5	G1/4"	217	62	86	3318

FKM

Reference	d	DN	PN	E	H	H1	L	H2	R _a	B	B ₁	E ₁	g
VKDDVDA016F	16	10	16	54	149	65	14	160	G1/8"	135	29	60.5	1155
VKDDVDA020F	20	15	16	54	124	65	16	160	G1/8"	135	29	60.5	1145
VKDDVDA025F	25	20	16	65	144	70	19	138	G1/8"	156.5	34.5	75	1473
VKDDVDA032F	32	25	16	73	154	78	22	138	G1/8"	161	39	75	1581
VKDDVDA040F	40	32	16	86	174	88	26	155.5	G1/4"	194	46	86	2469
VKDDVDA050F	50	40	16	98	194	93	31	155.5	G1/4"	200	52	86	2701
VKDDVDA063F	63	50	16	122	224	111	38	155.5	G1/4"	217	62	86	3318

All information subject to change.

Please contact us on <https://www.aliaxis.co.uk/get-in-touch> for further informations