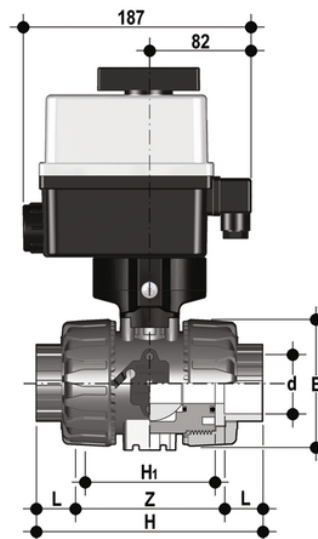


VKDAV/CE 90-240 V AC - Electrically actuated DUAL BLOCK® 2-way ball valve DN 10:50

2 way DUAL BLOCK® ball valve with female ends for solvent welding, ASTM series with multivolt electric actuator 90-240 V AC 50-60 Hz.



EPDM

Reference	d	DN	PN	E	H	H1	L	Z	B	B ₁	g
VKDAVEM038E	3/8"	10	16	54	117	65	19,5	78	205	29	1785
VKDAVEM012E	1/2"	15	16	54	117	65	22,5	72	205	29	1775
VKDAVEM034E	3/4"	20	16	65	129	70	25,5	78	216	34.5	1903
VKDAVEM100E	1"	25	16	73	142	78	28,7	84,6	221	39	2011
VKDAVEM114E	1" 1/4	32	16	86	162	88	32	98	238	46	2369
VKDAVEM112E	1" 1/2	40	16	98	172	93	35	102	244	52	2601
VKDAVEM200E	2"	50	*10	122	199	111	38,2	122,6	261	62	3218

FKM

Reference	d	DN	PN	E	H	H1	L	Z	B	B ₁	g
VKDAVEM038F	3/8"	10	16	54	117	65	19,5	78	205	29	1785
VKDAVEM012F	1/2"	15	16	54	117	65	22,5	72	205	29	1775
VKDAVEM034F	3/4"	20	16	65	129	70	25,5	78	216	34.5	1903
VKDAVEM100F	1"	25	16	73	142	78	28,7	84,6	221	39	2011
VKDAVEM114F	1" 1/4	32	16	86	162	88	32	98	238	46	2369
VKDAVEM112F	1" 1/2	40	16	98	172	93	35	102	244	52	2601
VKDAVEM200F	2"	50	*10	122	199	111	38,2	122,6	261	62	3218

All information subject to change.

Please contact us on <https://www.aliaxis.co.uk/get-in-touch> for further informations