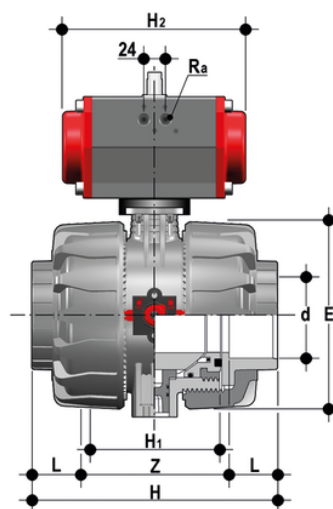


VKDLV/CP NC - Pneumatically actuated DUAL BLOCK® 2-way ball valve DN 65:100

2 way DUAL BLOCK® ball valve with female ends for solvent welding, BS series with pneumatic actuator, Normally Closed function.



EPDM

Reference	R	DN	PN	E	H	H1	L	Z	H2	R _a	B	B ₁	E ₁	g
VKDLVNC212E	2"1/2	65	10	164	235	133	44	147	210	G1/4"	239	87	94	7170
VKDLVNC300E	3"	80	10	203	270	149	51	168	228	G1/4"	262	105	104	11450
VKDLVNC400E	4"	100	10	238	308	167	63	186	280.5	G1/4"	295	129	120	17280

FKM

Reference	R	DN	PN	E	H	H1	L	Z	H2	R _a	B	B ₁	E ₁	g
VKDLVNC212F	2"1/2	65	10	164	235	133	44	147	210	G1/4"	239	87	94	7170
VKDLVNC300F	3"	80	10	203	270	149	51	168	228	G1/4"	262	105	104	11450
VKDLVNC400F	4"	100	10	238	308	167	63	186	280.5	G1/4"	295	129	120	17280

All information subject to change.

Please contact us on <https://www.aliasis.co.uk/get-in-touch> for further informations