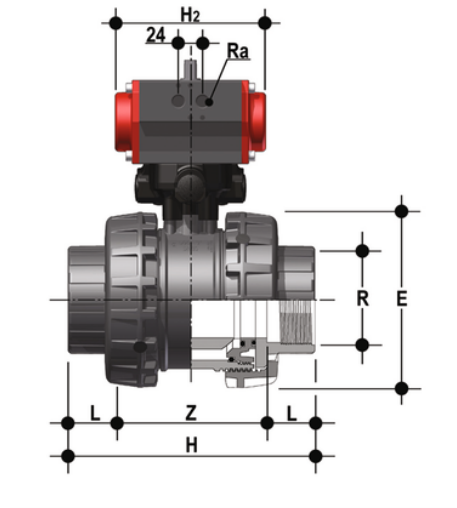


# VXEFV/CP NC - pneumatically actuated Easyfit 2-way ball valve

2 way Easyfit valve with gas cylinder thread female ends with pneumatic actuator, Normally Closed function.



## EPDM

Reference	R	DN	*PN	E	H	L	Z	B	E <sub>1</sub>	G	H <sub>2</sub>	R <sub>a</sub>	g
VXEFVNC212E	2"1/2	65	6	157	211	30.2	150.6	249	94	30	210	G1/4"	5950
VXEFVNC300E	3"	80	6	174	248	33,3	181.4	256	94	30	210	G1/4"	6632
VXEFVNC400E	4"	100	6	212	283	39,3	204.4	276	94	30	210	G1/4"	9114

## FKM

Reference	R	DN	*PN	E	H	L	Z	B	E <sub>1</sub>	G	H <sub>2</sub>	R <sub>a</sub>	g
VXEFVNC212F	2"1/2	65	6	157	211	30.2	150.6	249	94	30	210	G1/4"	5950
VXEFVNC300F	3"	80	6	174	248	33,3	181.4	256	94	30	210	G1/4"	6632
VXEFVNC400F	4"	100	6	212	283	39,3	204.4	276	94	30	210	G1/4"	9114

All information subject to change.

Please contact us on <https://www.aliaxis.co.uk/get-in-touch> for further informations