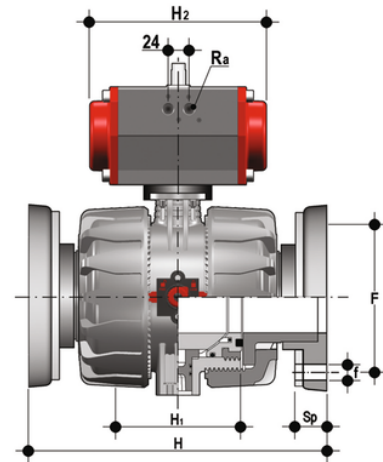
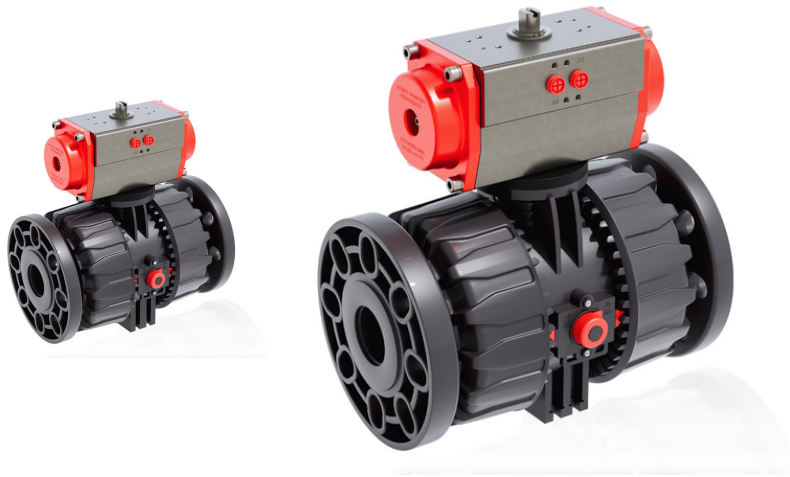


VKDOV – VKDOAV /CP DA – Pneumatically actuated DUAL BLOCK® 2-way ball valve DN 65:100

VKDOV: Pneumatically actuated DUAL BLOCK® ball valve with DIN 2501 – EN 1092 fixed flanges face to face according to EN 558-1, Double Acting.

VKDOAV: Pneumatically actuated DUAL BLOCK® ball valve with ANSI B.16.5 cl.150 #FF. fixed flanges, Double Acting.



EPDM

Reference	d	DN	*PN	H	H1	F	f	U	Sp	H2	Ra	B	B1	E1	g
VKDOVDA075E	75	65	10	290	133	145	17	4	21	155	G1/4"	222	87	86	7630
VKDOVDA090E	90	80	10	310	149	160	17	4	21.5	210	G1/4"	252	105	94	11650
VKDOVDA110E	110	100	10	350	167	180	17	4	21.5	228	G1/4"	280	129	104	17335

FKM

Reference	d	DN	*PN	H	H1	F	f	U	Sp	H2	Ra	B	B1	E1	g
VKDOVDA075F	75	65	10	290	133	145	17	4	21	155	G1/4"	222	87	86	7630
VKDOVDA090F	90	80	10	310	149	160	17	4	21.5	210	G1/4"	252	105	94	11650
VKDOVDA110F	110	100	10	350	167	180	17	4	21.5	228	G1/4"	280	129	104	17335

All information subject to change.

Please contact us on <https://www.aliaxis.co.uk/get-in-touch> for further informations