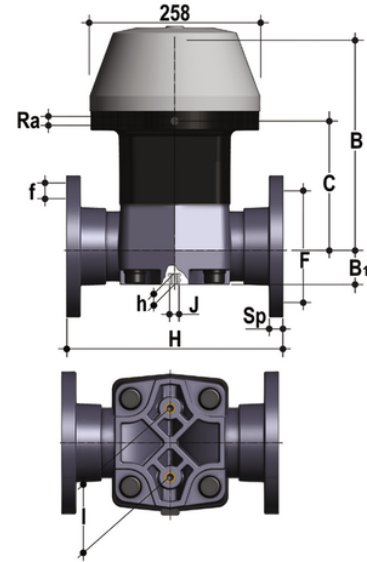


VMOF/CP NC – Pneumatically actuated diaphragm valve DN 80:100

Pneumatically actuated diaphragm valve with DIN 2501 – EN 1092 flanged monolithic body, Normally Closed.



EPDM

Reference	d	DN	PN	B	B ₁	C	H	h	R _a	I	J	F	Φf	U	Sp	g
VMOFNC090E	90	80	6	317	64	179	310	23	1/4"	100	M12	160	18	8	21.5	18520
VMOFNC110E	110	100	6	347	72	260	350	23	1/4"	120	M12	180	18	8	22.5	29790

FKM

Reference	d	DN	PN	B	B ₁	C	H	h	R _a	I	J	F	Φf	U	Sp	g
VMOFNC090F	90	80	6	317	64	179	310	23	1/4"	100	M12	160	18	8	21.5	18520
VMOFNC110F	110	100	6	347	72	260	350	23	1/4"	120	M12	180	18	8	22.5	29790

PTFE

Reference	d	DN	PN	B	B ₁	C	H	h	R _a	I	J	F	Φf	U	Sp	g
VMOFNC090P	90	80	6	317	64	179	310	23	1/4"	100	M12	160	18	8	21.5	18520
VMOFNC110P	110	100	6	347	72	260	350	23	1/4"	120	M12	180	18	8	22.5	29790

All information subject to change.

Please contact us on <https://www.aliasis.co.uk/get-in-touch> for further informations