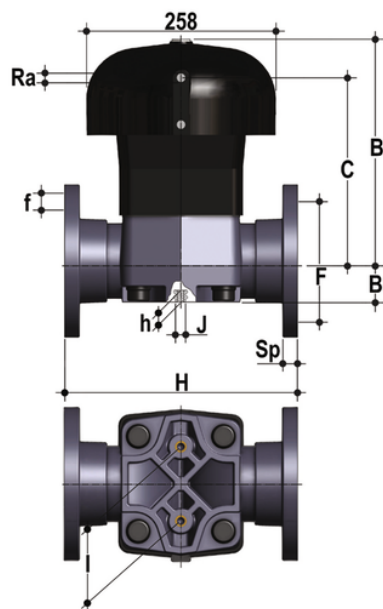


# VMOF/CP NO – Pneumatically actuated diaphragm valve DN 80:100

Pneumatically actuated diaphragm valve with DIN 2501 – EN 1092 flanged monolithic body, Normally Open.



## EPDM

Reference	d	DN	PN	B	B <sub>1</sub>	C	H	h	R <sub>a</sub>	I	J	F	Φf	U	Sp	g
VMOFNO090E	90	80	6	297	64	244	310	23	1/4"	100	M12	160	18	8	21.5	16020
VMOFNO110E	110	100	6	322	72	260	350	23	1/4"	120	M12	180	18	8	22.5	26290

## FKM

Reference	d	DN	PN	B	B <sub>1</sub>	C	H	h	R <sub>a</sub>	I	J	F	Φf	U	Sp	g
VMOFNO090F	90	80	6	297	64	244	310	23	1/4"	100	M12	160	18	8	21.5	16020
VMOFNO110F	110	100	6	322	72	260	350	23	1/4"	120	M12	180	18	8	22.5	26290

## PTFE

Reference	d	DN	PN	B	B <sub>1</sub>	C	H	h	R <sub>a</sub>	I	J	F	Φf	U	Sp	g
VMOFNO090P	90	80	6	297	64	244	310	23	1/4"	100	M12	160	18	8	21.5	16020
VMOFNO110P	110	100	6	322	72	260	350	23	1/4"	120	M12	180	18	8	22.5	26290

All information subject to change.

Please contact us on <https://www.aliasis.co.uk/get-in-touch> for further informations