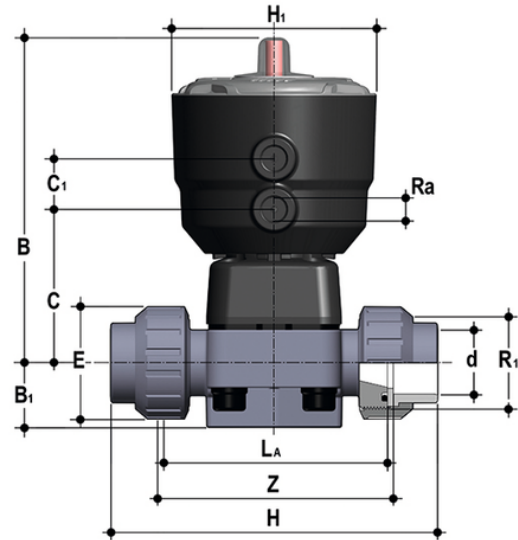


DKULV/CP NO – Pneumatically actuated 2-way diaphragm valve PN 10 DN 15:65

Pneumatically actuated diaphragm valve with female union ends for solvent welding, BS series. Normally Open function.



EPDM

Reference	d	DN	PN	B	B ₁	C	C ₁	E	H	H ₁	L[5:a]	R ₁	R[5:a]	Z	g
DKULVNO012E	1/2"	15	10	148	25	66	24	41	131	97	90	1"	1/4"	97	735
DKULVNO034E	3/4"	20	10	151	30	69	24	50	154	97	108	1 1/4"	1/4"	116	797
DKULVNO100E	1"	25	10	159	33	78	24	58	166	97	116	1 1/2"	1/4"	121	1025
DKULVNO114E	1 1/4"	32	10	163	30	82	24	72	194	97	134	2"	1/4"	142	1151
DKULVNO112E	1 1/2"	40	10	207	35	112	24	79	222	126	154	2 1/4"	1/4"	162	2462
DKULVNO200E	2"	50	10	245	46	142	24	98	266	157	184	2 3/4"	1/4"	194	4522

FKM

Reference	d	DN	PN	B	B ₁	C	C ₁	E	H	H ₁	L[5:a]	R ₁	R[5:a]	Z	g
DKULVNO012F	1/2"	15	10	148	25	66	24	41	131	97	90	1"	1/4"	97	735
DKULVNO034F	3/4"	20	10	151	30	69	24	50	154	97	108	1 1/4"	1/4"	116	797
DKULVNO100F	1"	25	10	159	33	78	24	58	166	97	116	1 1/2"	1/4"	121	1025
DKULVNO114F	1 1/4"	32	10	163	30	82	24	72	194	97	134	2"	1/4"	142	1151
DKULVNO112F	1 1/2"	40	10	207	35	112	24	79	222	126	154	2 1/4"	1/4"	162	2462
DKULVNO200F	2"	50	10	245	46	142	24	98	266	157	184	2 3/4"	1/4"	194	4522

All information subject to change.

Please contact us on <https://www.aliaxis.co.uk/get-in-touch> for further informations

DKULV/CP NO – Pneumatically actuated 2-way diaphragm valve PN 10 DN 15:65

PTFE

Reference	d	DN	PN	B	B ₁	C	C ₁	E	H	H ₁	L[5:a]	R ₁	R[5:a]	Z	g
DKULVNO012P	1/2"	15	10	148	25	66	24	41	131	97	90	1"	1/4"	97	735
DKULVNO034P	3/4"	20	10	151	30	69	24	50	154	97	108	1"1/4	1/4"	116	797
DKULVNO100P	1"	25	10	159	33	78	24	58	166	97	116	1"1/2	1/4"	121	1025
DKULVNO114P	1"1/4	32	10	163	30	82	24	72	194	97	134	2"	1/4"	142	1151
DKULVNO112P	1"1/2	40	10	207	35	112	24	79	222	126	154	2"1/4	1/4"	162	2462
DKULVNO200P	2"	50	10	245	46	142	24	98	266	157	184	2"3/4	1/4"	194	4522