

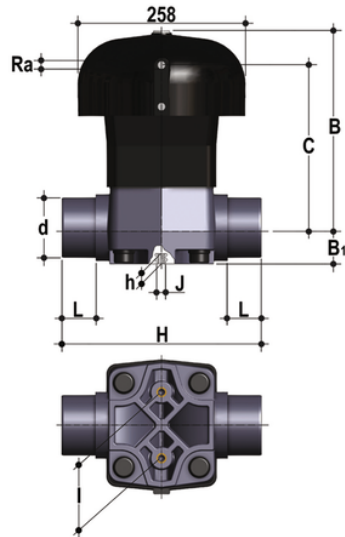
VMDV/CP NO – Pneumatically actuated diaphragm valve DN 80:100

Pneumatically actuated diaphragm valve with metric spigot ends for solvent welding, Normally Open.

The VM is particularly suitable for shutting off and regulating abrasive or dirty fluids.

The PP-GR diaphragm actuator is characterised by significant construction strength and makes VM the ideal choice for heavy-duty and chemically aggressive applications.

- PP-GR diaphragm actuator marked by high construction strength. The upper part is reinforced in steel in the Normally closed configuration. The absence of metal parts exposed to the external environment prevents any risk of corrosion.
- The special control diaphragm reinforced with textile fibres allows for up to 10 million operating cycles without showing any signs of wear.
- High resistance stainless steel stem with floating pin connection between the actuator stem and diaphragm to prevent concentrated loads, improve the seal and extend its lifetime.
- New valve body internal design. Substantially higher flow coefficient and lower pressure drops. Improved adjustment curve for efficient and precise flow regulation.
- Connection system using solvent welded and flanged joints
- Optimised fluid dynamic design: maximum output flow rate thanks to the optimised efficiency of the fluid dynamics that characterise the new internal geometry of the body
- Robust and reliable PP-GR diaphragm actuator suited to be used in severe environmental and chemically aggressive conditions
- Bonnet fastening screws in STAINLESS steel protected against the external environment by PE plugs
- New flanged bodies: the new bodies, characterised by a monolithic flanged structure, are available in PVC-U, PVC-C, PP-H and PVDF. This design, free of joints between the body and flanges, greatly reduces mechanical stress and increases system performance



EPDM

Reference	d	DN	PN	B	B ₁	C	H	h	I	J	L	R _a	g
VMDVNO090E	90	80	6	297	64	244	300	23	100	M12	51	1/4"	13000
VMDVNO110E	110	100	6	322	72	260	340	23	120	M12	61	1/4"	22000

All information subject to change.

Please contact us on <https://www.aliasis.co.uk/get-in-touch> for further informations

VMDV/CP NO – Pneumatically actuated diaphragm valve DN 80:100

FKM

Reference	d	DN	PN	B	B ₁	C	H	h	l	J	L	R _a	g
VMDVNO090F	90	80	6	297	64	244	300	23	100	M12	51	1/4"	13000
VMDVNO110F	110	100	6	322	72	260	340	23	120	M12	61	1/4"	22000

PTFE

Reference	d	DN	PN	B	B ₁	C	H	h	l	J	L	R _a	g
VMDVNO090P	90	80	6	297	64	244	300	23	100	M12	51	1/4"	13000
VMDVNO110P	110	100	6	322	72	260	340	23	120	M12	61	1/4"	22000

All information subject to change.

Please contact us on <https://www.aliaxis.co.uk/get-in-touch> for further informations