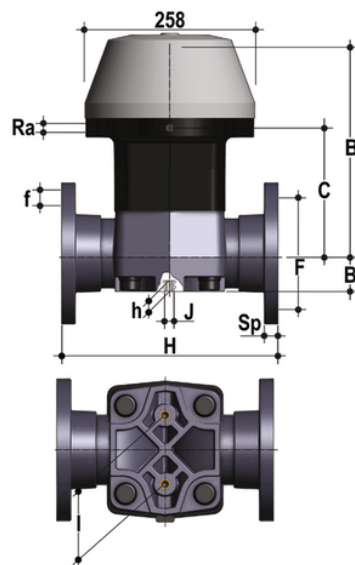


VMOAV/CP NC - Pneumatically actuated diaphragm valve DN 80:100

Pneumatically actuated diaphragm valve with ANSI B16.5 cl. 150 #FF flanged monolithic body, Normally Closed.



EPDM

Reference	d	DN	PN	B	B ₁	C	H	h	R _a	I	J	F	Φf	U	Sp	g
VMOAVNC300E	3"	80	6	317	64	179	263	23	1/4"	100	M12	152.4	19,1	4	21.5	17000
VMOAVNC400E	4"	100	6	347	72	260	328	23	1/4"	120	M12	190.5	19,1	8	22.5	27900

FKM

Reference	d	DN	PN	B	B ₁	C	H	h	R _a	I	J	F	Φf	U	Sp	g
VMOAVNC300F	3"	80	6	317	64	179	263	23	1/4"	100	M12	152.4	19,1	4	21.5	17000
VMOAVNC400F	4"	100	6	347	72	260	328	23	1/4"	120	M12	190.5	19,1	8	22.5	27900

PTFE

Reference	d	DN	PN	B	B ₁	C	H	h	R _a	I	J	F	Φf	U	Sp	g
VMOAVNC300P	3"	80	6	317	64	179	263	23	1/4"	100	M12	152.4	19,1	4	21.5	17000
VMOAVNC400P	4"	100*	6	347	72	260	328	23	1/4"	120	M12	190.5	19,1	8	22.5	27900

All information subject to change.

Please contact us on <https://www.aliasis.co.uk/get-in-touch> for further informations