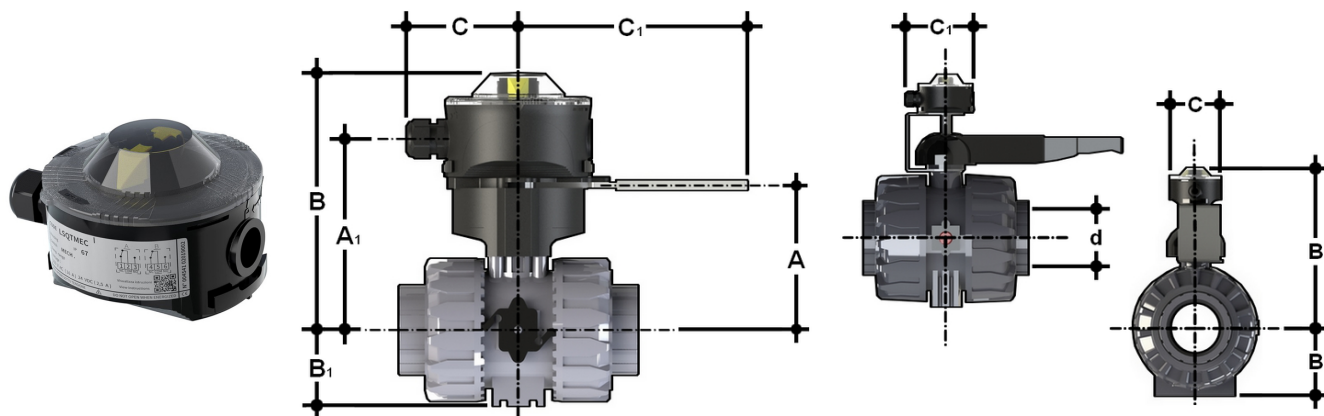


LSQTMEC Electromechanical microswitches box

Accessories for VKD DN 10÷100 and TKD DN 10÷50 Dual Block® series ball valves

IP67 box containing two electro-mechanical microswitches and configurable optical indicator



Reference	DN	To be used with:
LSQTMEC	10-100	VKD - TKD

All information subject to change.

Please contact us on <https://www.aliasis.co.uk/get-in-touch> for further informations