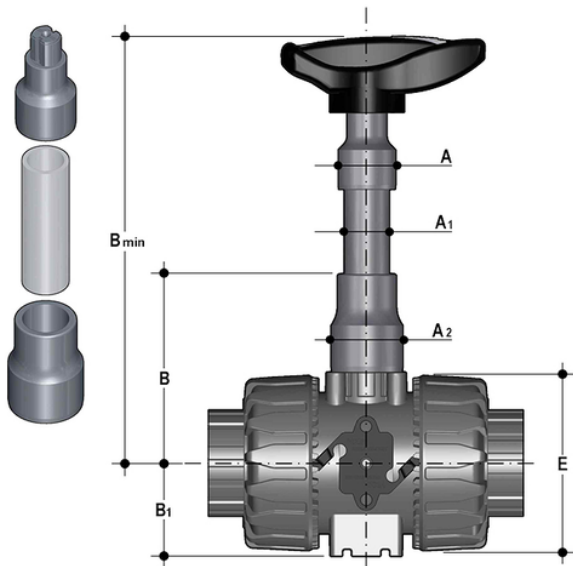


PSKD Stem extension

Accessories for VKD and TKD Dual Block® series ball valves DN 10÷50

Stem extension kit to be assembled on PVC-U metric pipe (not included)



Reference	d	DN	A	A[5:1]	A[5:2]	E	B	B ₁	B min	to be used with:
PSKD020	20	15	32	25	32	54	70	29	139,5	VKD-TKD
PSKD025	25	20	32	25	40	65	89	34,5	164,5	VKD-TKD
PSKD032	32	25	32	25	40	73	93,5	39	169	VKD-TKD
PSKD040	40	32	40	32	50	86	110	46	200	VKD-TKD
PSKD050	50	40	40	32	50	98	116	52	206	VKD-TKD
PSKD063	63	50	40	32	59	122	122	62	225	VKD-TKD

All information subject to change.

Please contact us on <https://www.aliaxis.co.uk/get-in-touch> for further informations