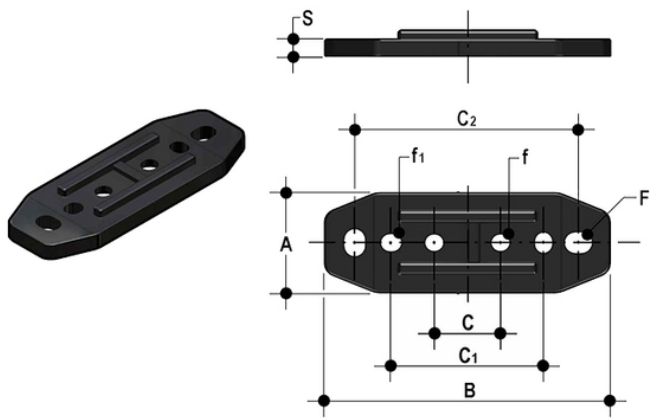


# PMKD Wall mounting plate

Accessories for VKD and VKR Dual Block® series ball valves DN 10÷50

Wall mounting and distance plate.



Reference	DN	A	B	C	C <sub>1</sub>	C <sub>2</sub>	F	f	f[5:1]	S	to be used with:
PMKD1	25	30	86	20	46	67,5	6,5	5,3	5,5	5	VKD-VKR
PMKD2	50	40	122	30	72	102	6,5	6,3	6,5	6	VKD-VKR