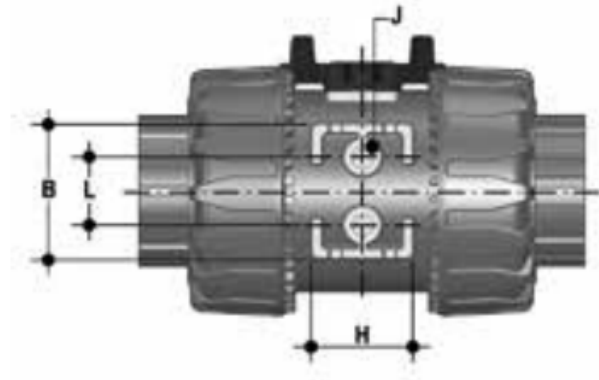


Fastening Inserts

Accessories for VKD and VKR Dual Block® series ball valves DN 10÷50

Fastening inserts available in Stainless Steel for valves in PP-H and PVDF or Brass for valves in PVC-U and PVC-C.



| Reference | DN | product.detail.attribute.Threads | Inner pipe material | To be used with: |
|-----------|-------|----------------------------------|---------------------|------------------|
| SINSM04O | 10-25 | M4 | Brass | VKD - VKR |
| SINSM04X | 10-25 | M4 | Stainless Steel | VKD - VKR |
| SINSM06O | 32-50 | M6 | Brass | VKD - VKR |
| SINSM06X | 32-50 | M6 | Stainless Steel | VKD - VKR |

All information subject to change.

Please contact us on <https://www.aliaxis.co.uk/get-in-touch> for further informations