

LS Quick Kit

Accessories for butterfly valves serie FK-LM DN40-200

The Limit Switch Quick Kit allows the fast and secure installation of the FIP LSQT module onto the FK valves: an electromechanical or inductive microswitch box to detect the valve position (open or closed).

The kit can be assembled on the valve even if already installed on the system.

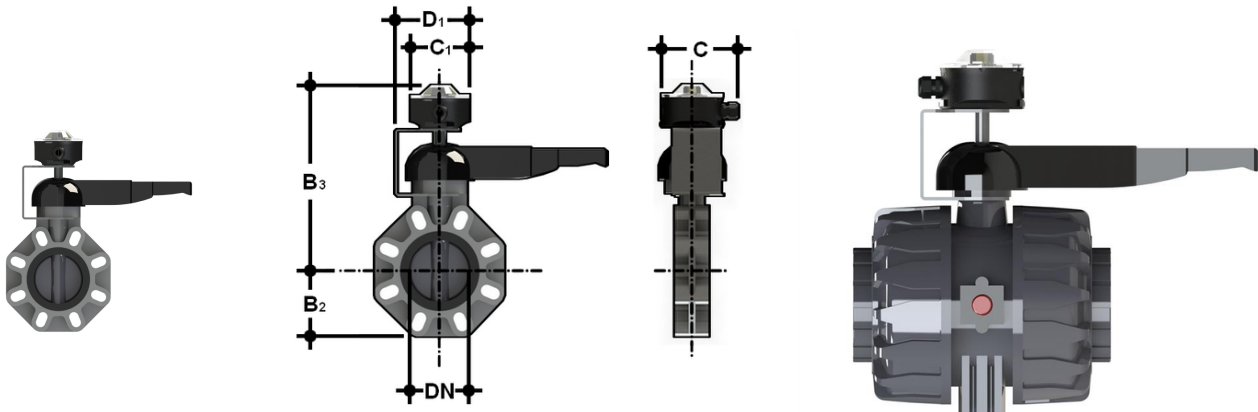
This kit can be assembled also on VKD DN65-100 Dualblock ball valves.

For technical data of LSQT boxes see dedicated pages:

[LSQTMEC](#)

[LSQTPNP](#)

[LSQTNAM](#)



Reference	DN	B ₂	B ₃	C	C ₁	D[5:1]	product.detail.attribute.To be used with
LSQKITFK5063	40	60	260,5	126,9	103	123,5	FK - VKD
LSQKITFK5063	50	70	266,5	126,9	103	123,5	FK - VKD
LSQKIT75160	65	80	273,5	126,9	103	123,5	FK - VKD
LSQKIT75160	80	93	287,5	126,9	103	123,5	FK - VKD
LSQKIT75160	100	107	301,5	126,9	103	123,5	FK - VKD
LSQKIT75160	125	120	321,5	126,9	103	123,5	FK - VKD
LSQKIT75160	150	134	334,5	126,9	103	123,5	FK - VKD
LSQKIT225	200	161	385	126,9	103	129,8	FK - VKD

All information subject to change.

Please contact us on <https://www.aliaxis.co.uk/get-in-touch> for further informations