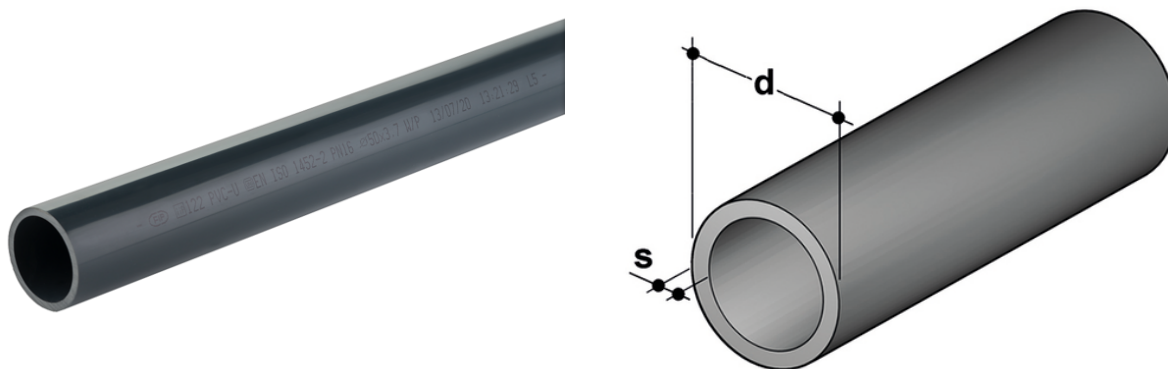


Pressure pipe PN16 SDR 11 – SDR 13,6

PVC-U pressure pipe according to standards EN ISO 15493 and DIN 8061/8062, dark gray RAL 7011, standard length 5m.

Pipes under pressure with cold chemical weld jointing systems (solvent welding) using suitable solvent cement WELD-ON and primer-cleaner.



Reference	d	S mm	Kg/m
PIPEV11016	16	1,5	0,109
PIPEV13020	20	1,5	0,140
PIPEV13025	25	1,9	0,216
PIPEV13032	32	2,4	0,351
PIPEV13040	40	3,0	0,539
PIPEV13050	50	3,7	0,831
PIPEV13063	63	4,7	1,323
PIPEV13075	75	5,6	1,877
PIPEV13090	90	6,7	2,681
PIPEV13110	110	8,1	3,940
PIPEV13125	125	9,2	5,070
PIPEV13140	140	10,3	6,563
PIPEV13160	160	11,8	8,563

All information subject to change.

Please contact us on <https://www.aliaxis.co.uk/get-in-touch> for further informations