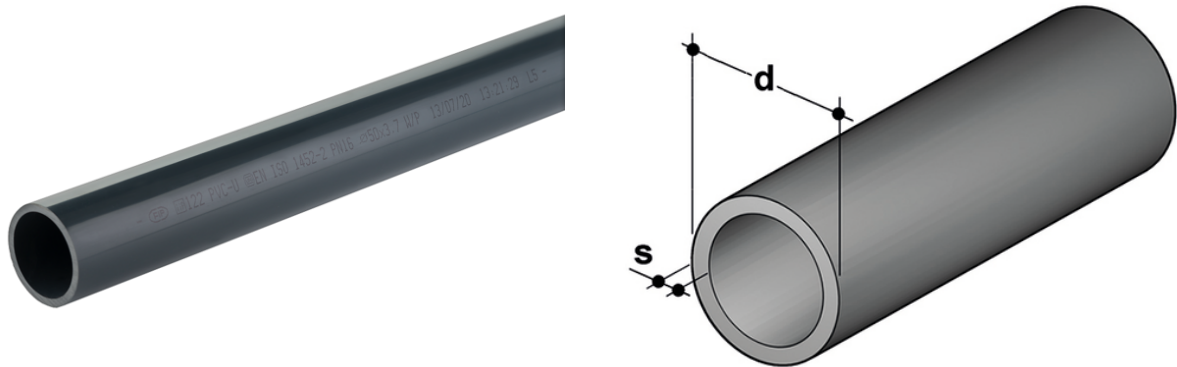


Pressure Pipe PN16 SDR 11 – SDR 13,6 – SDR 17

PVC-U pressure pipe according to standard EN ISO 1452, dark gray RAL 7011, standard length 5m.

Pipes under pressure with cold chemical weld jointing systems (solvent welding) using suitable solvent cement WELD-ON and primer-cleaner.



| Reference | d | S mm | Kg/m |
|------------|-----|------|-------|
| PIPEV11016 | 16 | 1,5 | 0,109 |
| PIPEV13020 | 20 | 1,5 | 0,140 |
| PIPEV13025 | 25 | 1,9 | 0,216 |
| PIPEV13032 | 32 | 2,4 | 0,351 |
| PIPEV13040 | 40 | 3,0 | 0,539 |
| PIPEV13050 | 50 | 3,7 | 0,831 |
| PIPEV13063 | 63 | 4,7 | 1,323 |
| PIPEV13075 | 75 | 5,6 | 1,877 |
| PIPEV13090 | 90 | 6,7 | 2,681 |
| PIPEV17110 | 110 | 6,6 | 3,289 |
| PIPEV17125 | 125 | 7,4 | 4,194 |
| PIPEV17140 | 140 | 8,3 | 5,265 |
| PIPEV17160 | 160 | 9,5 | 6,872 |

All information subject to change.

Please contact us on <https://www.aliaxis.co.uk/get-in-touch> for further informations