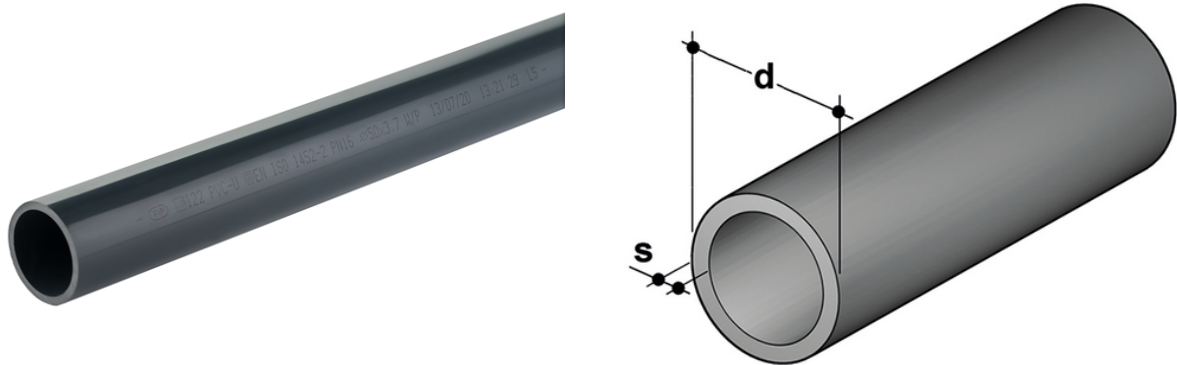


Pressure pipe PN16 SDR 13,6 – SDR 15 – SDR 17

PVC-U pressure pipe according to standards NF and CSTB NF055, dark gray RAL 7011, standard length 5m.

Pipes under pressure with cold chemical weld jointing systems (solvent welding) using suitable solvent cement WELD-ON and primer-cleaner.



Reference	d	S mm	Kg/m
PIPEV13032	32	2,4	0,351
PIPEV13040	40	3,0	0,539
PIPEV13050	50	3,7	0,831
PIPEV13063	63	4,7	1,323
PIPEV13075	75	5,6	1,877
PIPEV13090	90	6,7	2,681
PIPEV13110	110	8,1	3,940
PIPEV13125	125	9,2	5,070
PIPEV15140	140	9,3	5,860
PIPEV17160	160	9,5	6,872

All information subject to change.

Please contact us on <https://www.aliaxis.co.uk/get-in-touch> for further informations