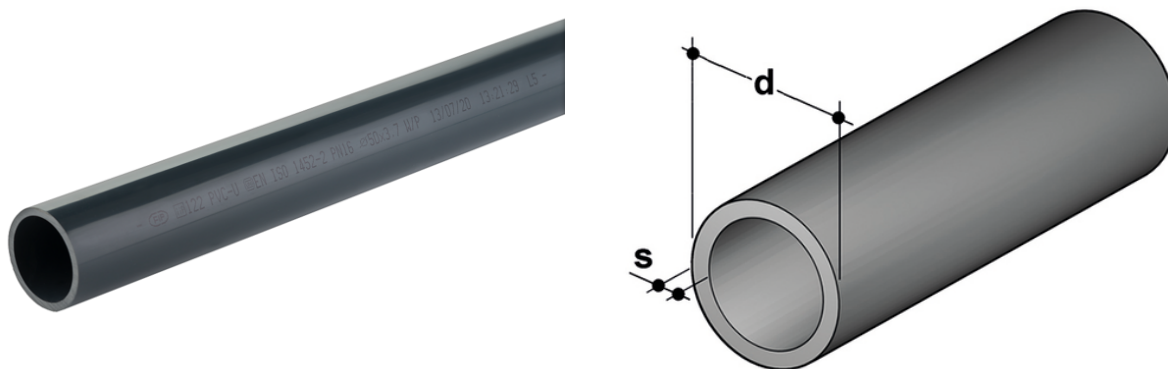


Pressure pipe PN10 SDR 21 – SDR 23 – SDR 26

PVC-U pressure pipe according to standards NF and CSTB NF055, dark gray RAL 7011, standard length 5m.

Pipes under pressure with cold chemical weld jointing systems (solvent welding) using suitable solvent cement WELD-ON and primer-cleaner.



Reference	d	S mm	Kg/m
PIPEV21063	63	3,0	0,878
PIPEV21075	75	3,6	1,258
PIPEV21090	90	4,3	1,798
PIPEV21110	110	5,3	2,670
PIPEV21125	125	6,0	3,410
PIPEV23140	140	6,1	3,940
PIPEV26160	160	6,2	4,632
PIPEV26180	180	6,9	5,774
PIPEV26200	200	7,7	7,160
PIPEV26225	225	8,6	8,996
PIPEV26250	250	9,6	11,167
PIPEV26315	315	12,1	17,817

All information subject to change.

Please contact us on <https://www.aliaxis.co.uk/get-in-touch> for further informations