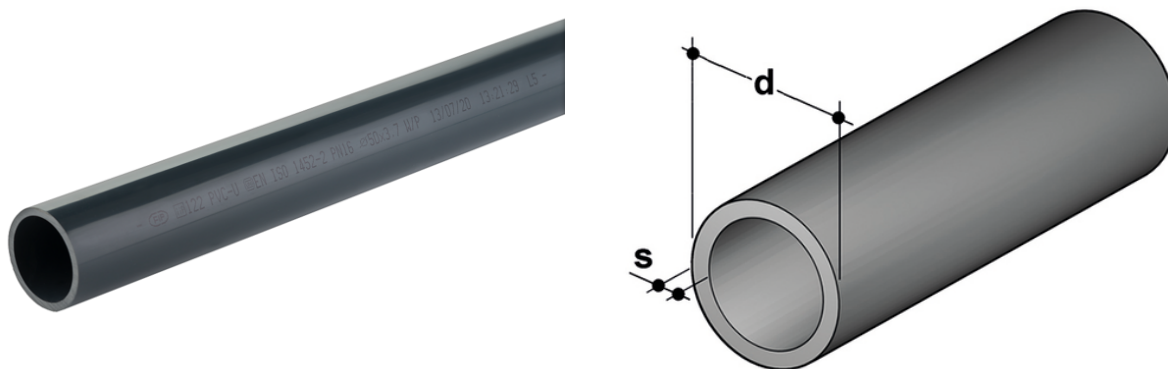


# Pressure pipe PN10 SDR 21 – SDR 26

PVC-U pressure pipe according to standard EN ISO 1452, dark gray RAL 7011, standard length 5m.

Pipes under pressure with cold chemical weld jointing systems (solvent welding) using suitable solvent cement WELD-ON and primer-cleaner.



Reference	d	S mm	Kg/m
PIPEV21032	32	1,6	0,246
PIPEV21040	40	1,9	0,360
PIPEV21050	50	2,4	0,567
PIPEV21063	63	3,0	0,878
PIPEV21075	75	3,6	1,258
PIPEV21090	90	4,3	1,798
PIPEV26110	110	4,2	2,175
PIPEV26125	125	4,8	2,800
PIPEV26140	140	5,4	3,533
PIPEV26160	160	6,2	4,632
PIPEV26180	*180	6,9	5,774
PIPEV26200	200	7,7	7,160
PIPEV26225	225	8,6	8,996
PIPEV26250	*250	9,6	11,167
PIPEV26280	280	10,7	13,961
PIPEV26315	*315	12,1	17,817

All information subject to change.

Please contact us on <https://www.aliaxis.co.uk/get-in-touch> for further informations