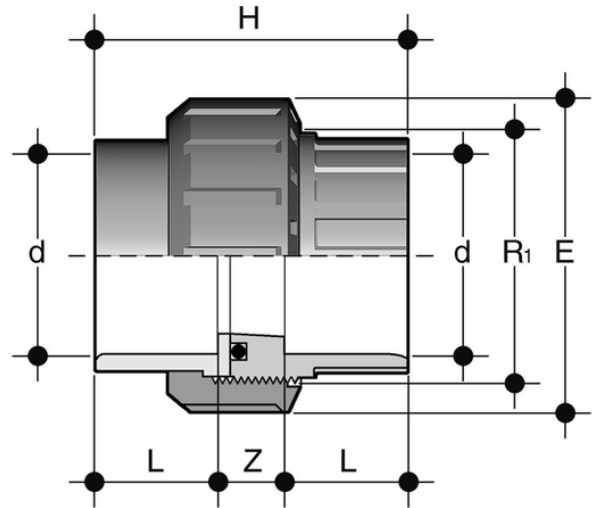


BLV - Union

Union with solvent weld sockets, O-Ring in EPDM. Fittings according to british standard.

Series of fittings for pipes conveying fluids under pressure with solvent weld and threaded joints according to British Standard.



Reference	d	PN	Class	R ₁	E	H	L	Z	g
BLV012E	1/2"	15	E	1"	40.5	45	16	13	39
BLV034E	3/4"	15	E	1 1/4"	50	51	19	13	65
BLV100E	1"	15	E	1 1/2"	57.5	57	22	13	94
BLV114E	1 1/4"	15	E	2"	71.5	67	26	15	150
BLV112E	1 1/2"	15	E	2 1/4"	79	79	31	17	190
BLV200E	2"	15	E	2 3/4"	98	98	38	21	400

All information subject to change.

Please contact us on <https://www.aliaxis.co.uk/get-in-touch> for further informations